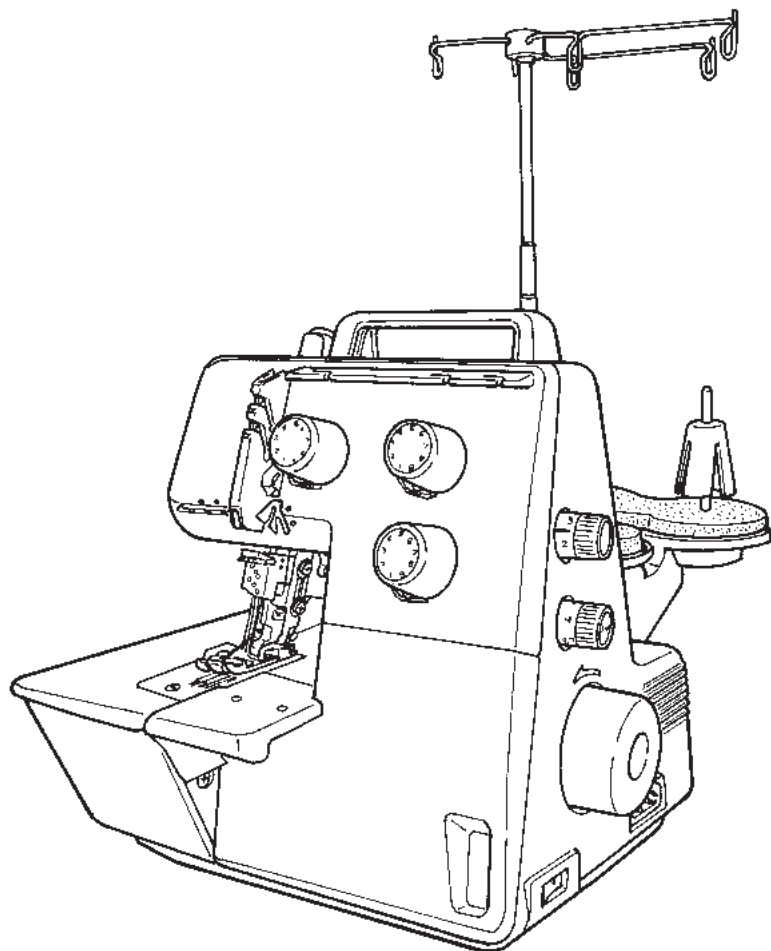


3-Needle, 2/3/4-Thread Cover Stitch Sewing Machine

MCS-1500

INSTRUCTION MANUAL

EN



IMPORTANT:

Read all safety regulations carefully and understand them before using your sewing machine. Retain this instruction manual for future reference.

“IMPORTANT SAFETY INSTRUCTIONS”

When using an electrical appliance, basic safety precautions should always be followed, including the following: Read all instructions before using this sewing machine.

“DANGER ____ To reduce the risk of electric shock:”


1. The appliance should never be left unattended when plugged in.
2. Always unplug this appliance from the electric outlet immediately after using and before cleaning.

“WARNING ____ To reduce the risk of burns, fire, electric shock, or injury to persons:”

1. Do not use the appliance as a toy. Caution is advised when the appliance is used by children, or near children. This sewing machine can be used by children aged from 8 years and above and persons with reduced physical, sensory or mental capabilities or lack of experience and knowledge if they have been given supervision or instruction concerning use of the sewing machine in a safe way and understand the hazards involved. Children shall not play with the sewing machine. Cleaning and user maintenance shall not be made by children without supervision.
2. Use this appliance only for its intended use as described in this manual. Use only attachments recommended by the manufacturer as contained in this manual.
3. Never operate this appliance if it has a damaged cord or plug, if it is not working properly, if it has been dropped or damaged, or dropped into water. Return the appliance to the nearest authorized dealer or service center for examination, repair, electrical or mechanical adjustment.
4. Never operate the appliance with any air openings blocked. Keep ventilation openings of the sewing machine and foot control free from the accumulation of lint, dust, and loose cloth.
5. Keep fingers away from all moving parts. Special care is required around the sewing machine needle.
6. Always use the proper stitch plate. The wrong plate can cause the needle to break.
7. Do not use bent needles.
8. Do not pull or push fabric while stitching. It may deflect the needle causing it to break.
9. Do not carry out sewing with a marking pin stuck in the material since doing so can cause knife/needle breakage. In addition, do not attempt to cut anything other than fabric and thread with the upper/lower knives.
10. Switch the sewing machine off “O” when making any adjustments in the needle area, such as threading needle, changing needle, threading looper, or changing presser foot and the like.
11. Always unplug the machine from the electrical outlet when removing covers, when covers are opened to thread the loopers, when lubricating or when making any other user servicing adjustments mentioned in the instruction manual.
12. Never drop or insert any object into any opening.
13. Do not use outdoors.
14. Do not operate where aerosol (spray) products are being used or where oxygen is being administered.
15. To disconnect, turn all controls to the off “O” position, then remove plug from outlet.
16. Do not unplug by pulling on cord. To unplug, grasp the plug, not the cord.
17. Basically, the machine should be disconnected from the electricity supply when not in use.
18. If the power cord of this appliance is damaged, it must be replaced with a special cord by your nearest authorized dealer or service center.
19. (Except USA/Canada) This machine is provided with double insulation.
Use only identical replacement parts. See instructions for servicing Double-Insulated machine.

“SERVICING DOUBLE-INSULATED PRODUCTS (Except USA / Canada)”

In a double-insulated product, two systems of insulation are provided instead of grounding. No grounding means is provided on a double-insulated product nor should a means for grounding be added to the product. Servicing a double-insulated product requires extreme care and knowledge of the system and should only be done by qualified service personnel. Replacement parts for a double-insulated product must be identical to those parts in the product. A double-insulated product is marked with the words DOUBLE INSULATION or DOUBLE INSULATED.

The symbol  may also be marked on the product.

“SAVE THESE INSTRUCTIONS”

“This overlock sewing machine is intended for household use only.”

Congratulations on your purchase of a JUKI sewing machine.



Please be sure to read safety precautions in “To use the sewing machine safely” in the Instruction Manual before use to fully understand the functions and operating procedures of the sewing machine so as to use the sewing machine for a long time.

After you have read the Instruction Manual, please be sure to keep it together with the warranty so that you can read it whenever necessary.











To use the sewing machine safely

Marks and pictographs included in the Instruction Manual and shown on the sewing machine are used so as to ensure safe operation of the sewing machine and to prevent possible risk of injury to the user and other people.

Warning marks are used for different purposes as described below.

 WARNING	Indicates that there is a possible risk of death or serious injury if this mark is ignored and the sewing machine is used in a wrong manner.
 CAUTION	Indicates the operation, etc. which can cause a possible risk of personal injury and/or physical damage if this mark is ignored and the sewing machine is used in a wrong manner.

Pictographs mean the following:

	Danger warning which is not specified		There is a risk of electrical shock		There is a risk of fire		There is a risk of injury to hands, etc.
	Prohibited matter which is not specified		Disassembly/alteration is prohibited		Do not place fingers under the needle		Do not pour oil, etc.
	Generally required behavior		Disconnect the power plug				

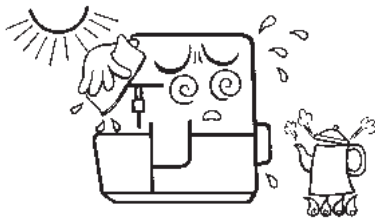
! WARNING

For the combination of the material and the thread and needle, in particular, refer to the explanation table in “Replacement of the needle”.

If the needle or thread does not match the material used such as in the case that an extra heavy-weight material (e.g., denim) is sewn with a thin needle (#11 or higher), the needle can break resulting in an unexpected personal injury.

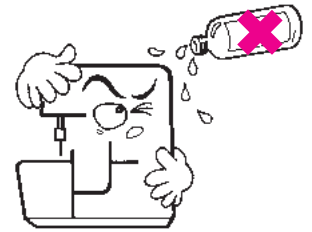
Other precautions

- Do not put the sewing machine under the direct sunlight or in a humid place.



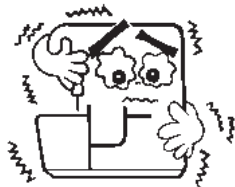
- Do not wipe the sewing machine with solvent such as thinner.

When the sewing machine is soiled, put a small quantity of neutral detergent on a piece of soft cloth and carefully wipe off the sewing machine with it.



Be aware that the following state can take place since the sewing machine incorporates semi-conductor electronic parts and precise electronic circuits.

- Be sure to use the sewing machine in the temperature range from 5°C to 40°C. If the temperature is excessively low, the machine can fail to operate normally.



* The operating temperature of the sewing machine is between 5°C and 40°C. Do not use the sewing machine under the direct sunlight, near the burning things such as a stove and candle, or in a humid place. By so doing, the temperature in the interior portion of the sewing machine can rise or the coating of the power cord can melt, causing fire or electrical shock.

Contents

Safety instructions	1-3
Contents	4
Details of the machine	5, 6
• Accessories	6

Preparing the machine

• Thread guide	7
• Attaching the spool holders	7
• Thread, cones, spools	7
• Large spools	7
• Household spools	7
• Thread net	7
• Attaching the foot control	8

Using the machine

• Power/light switch	8
• Two-step presser foot lifter	9
• Changing the presser foot	9
• Looper cover	10
• Cloth plate	10
• Handwheel	10
• Inserting needles	11
• Needle system	11

Threading

• Threading preparation / Tips	12
• Thread guide bar	12
• Thread tension	12

Threading cover stitch

• Threading 4 thread cover stitch	13-16
Threading cover stitch looper	13
Threading right cover stitch needle	14
Threading center cover stitch needle	15
Threading left cover stitch needle	16
• Threading 3 thread cover stitch (wide)	17
• Threading 3 thread cover stitch (narrow)	18

Threading chain stitch

• Threading chain stitch	19
--------------------------	----

Trial sewing, Thread tension

• Sewing test	20
• Tension adjustments	21
• Thread tension	21

Adjustments and settings

• Stitch length	22
• Presser foot pressure	22
• Differential feed	23
• Adjusting the differential feed	24

Stitch chart	25
--------------	----

Practical sewing cover stitch

• Securing the seam end	26
• Unpicking seams	26
• Extension plate with seam guide lines	26
• Simple hem	27
• Flat joining seam	27
• Edges with elastic	28
• Binding	28
• Top stitching seams / ribbing / yokes	29
• Decorative stitching	29

Practical sewing chainstitch

• Securing the seam end	30
• Unpicking seams	30
• Extension plate with seam guide lines	30
• Gathering with chainstitch	31
• Binding	31

Maintenance

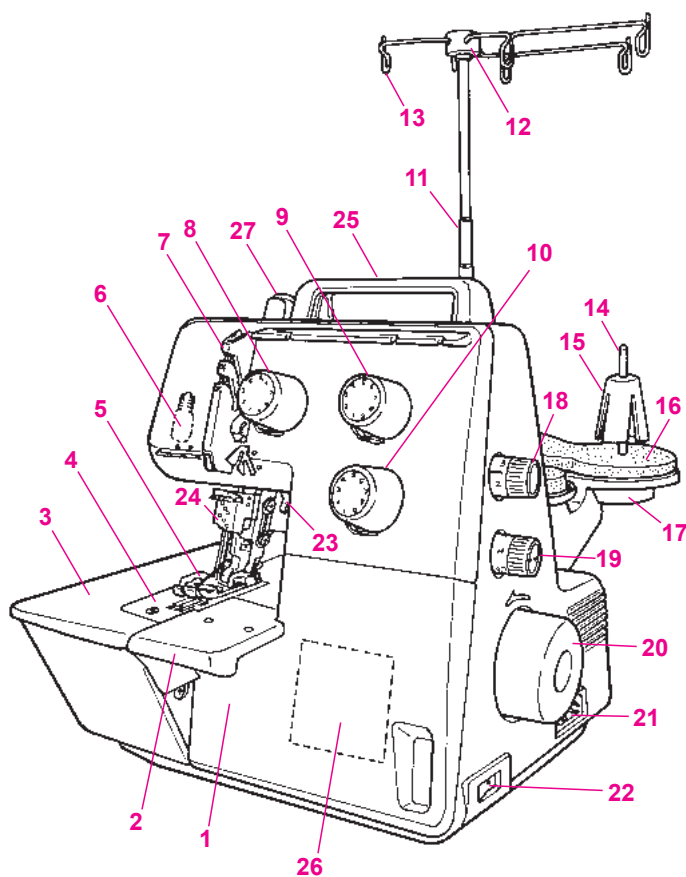
• Replacing the bulb	32
• Cleaning	32

Trouble shooting guide	33
------------------------	----

Technical data	34
----------------	----

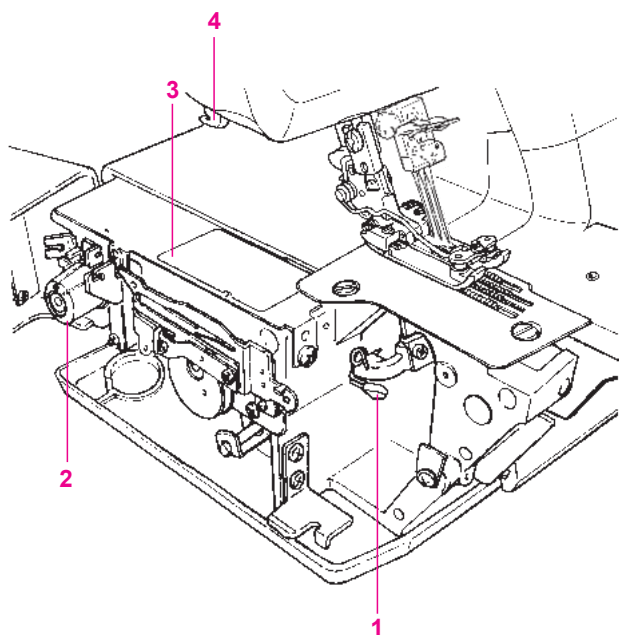
Optional accessories	35
----------------------	----

Details of the machine



Details of the machine

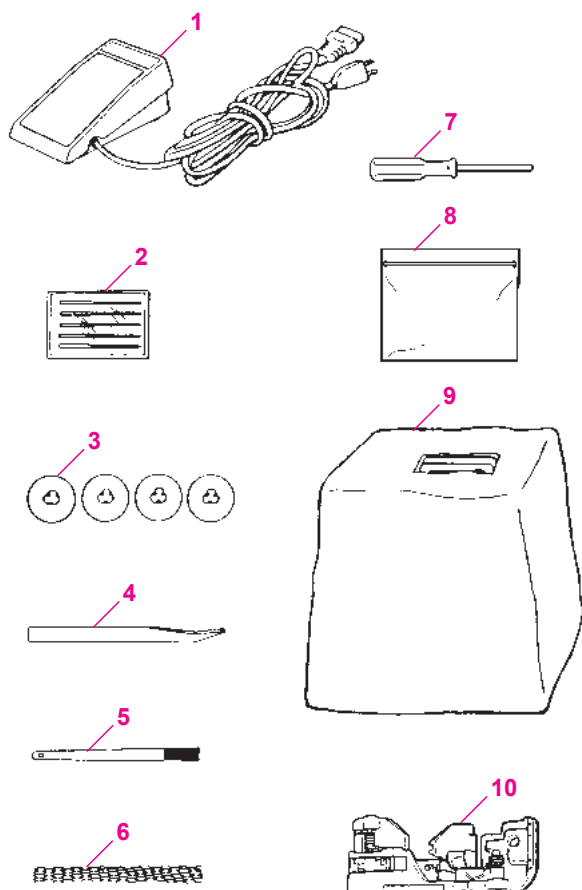
1. Looper cover
2. Extension plate
3. Cloth plate
4. Sewing plate
5. Presser foot
6. Sewing light
7. Thread take-up cover
8. Left needle thread tension dial
9. Center needle thread tension dial
10. Right needle thread tension dial
11. Retractable support rod
12. Thread guide
13. Open thread guide
14. Spool holder pin
15. Anti-vibration cone
16. Foam pad
17. Spool holders
18. Stitch length dial
19. Differential feed dial
20. Handwheel
21. Machine socket
22. Power/Light switch
23. Presser foot lifter
24. Needle clamp
25. Carrying handle
26. Threading diagram
27. Presser foot pressure adjusting screw



View with cloth plate open

1. Looper auto-threader
2. Looper thread tension dial
3. Threading diagram for looper thread
4. Thread cutter

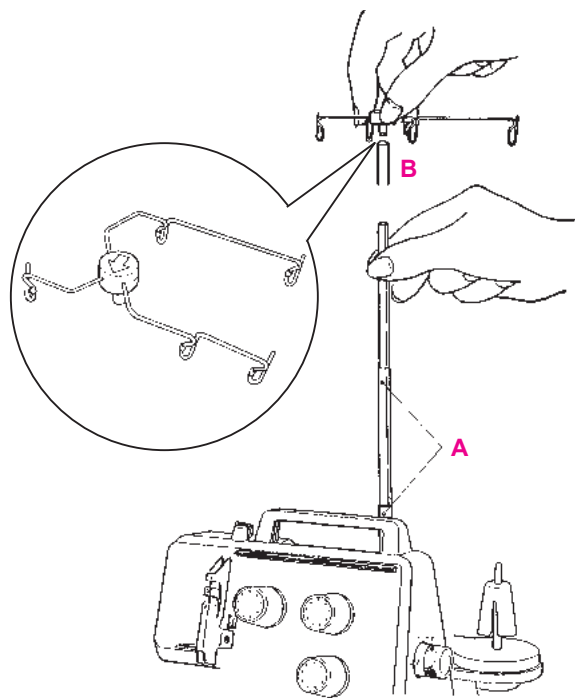
Details of the machine



Accessories

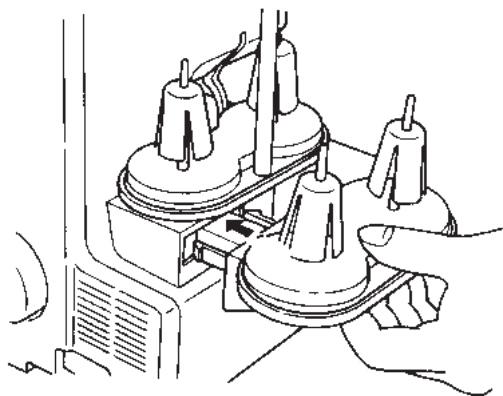
1. Electronic foot control
2. Needle set 130/705H
3. Spool caps
4. Tweezers
5. Brush/needle inserter
6. Net
7. Hexagonal screwdriver
8. Accessory bag
9. Dust cover
10. Chainstitch presser foot (Optional Accessory)

Preparing the machine



Thread guide

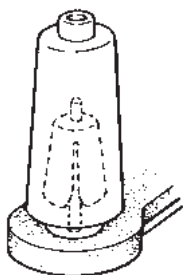
Raise the support rod fully, turning slightly until the positioning catches engage (A). Position the thread guide on the thread stand so that the arrow is to the front (B).



Attaching the spool holders

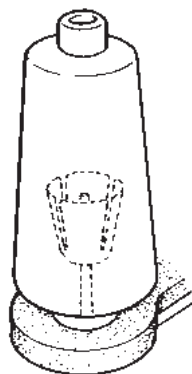
Attach the separately packed spool holder (equipped with two spool holder pins) to the fixed spool holder, by pushing until it snaps in place.

Thread / cones / spools



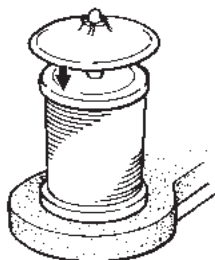
The anti-vibration cone should be used with the wider edge at the bottom on the spool holder pin when sewing with cones.

Large spools



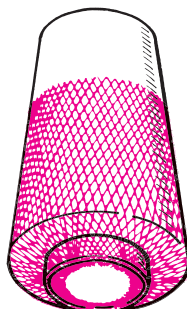
If large industrial spools are used, position the anti-vibration cone upside down on the spool holder pin, i.e. with the wider edge at the top.

Household spools



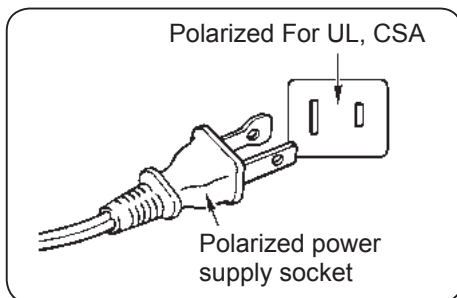
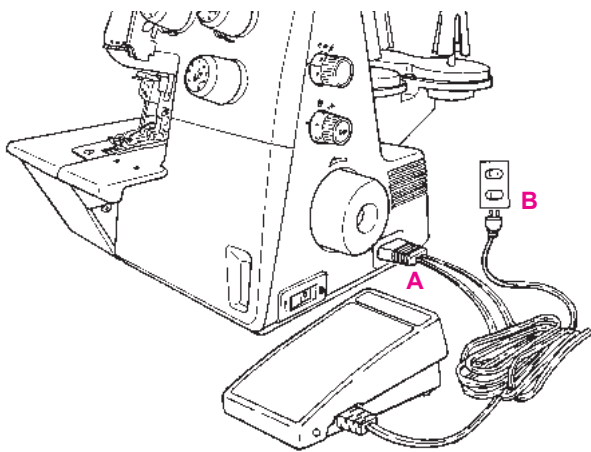
Remove the anti-vibration cones. Place spools on spool holder pins and push the spool caps on with the rounded side downwards.

Thread nets



If the threads slip and gets twisted, cover the spools of upper and lower looper with the nets supplied in the accessory bag.

Preparing the machine



Attaching the foot control

Plug foot control into the machine socket (A) and then into the main socket (B). The foot control regulates the sewing speed. The sewing speed can be adjusted by increasing or decreasing the pressure on the foot control.

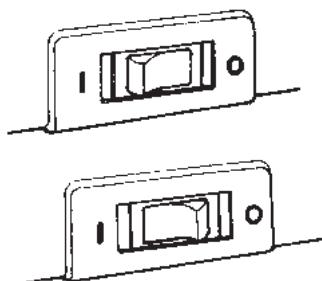
⚠ "WARNING"

This appliance has a polarized plug (for USA and Canada only, one blade wider than the other).

To reduce the risk of electric shock, this plug is intended to fit in a polarized main socket only one way.

If the plug does not fit fully in the polarized main socket, reverse the plug. If it still does not fit, contact a qualified electrician to install the proper polarized main socket. Do not modify the plug in any way. (for USA, Canada only)

* Use only the foot control model YC-482 (USA, Canada), YC-483N (220-240V).



Power/light switch

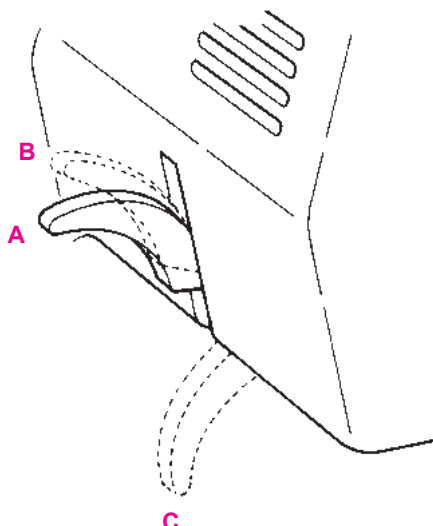
The power/light switch is on the handwheel side of the machine in front of the plug socket.

O = off

I = power and light on

Using the machine

Two-step presser foot lifter



To raise the presser foot push the presser foot lifter up until it engages (A).

It can be raised again to maximum height and held in this position to provide more space between presser foot and stitch plate for bulky items (B). To lower the presser foot press the lifter down (C).

"WARNING"

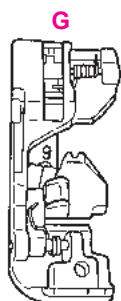
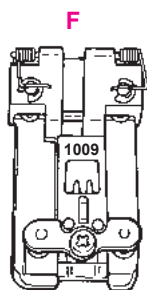
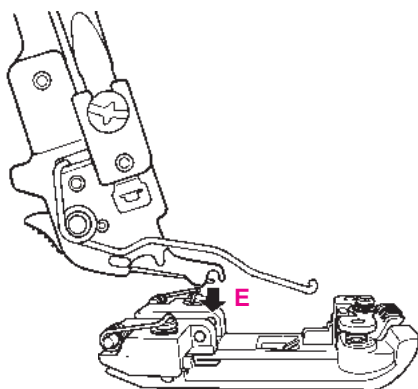
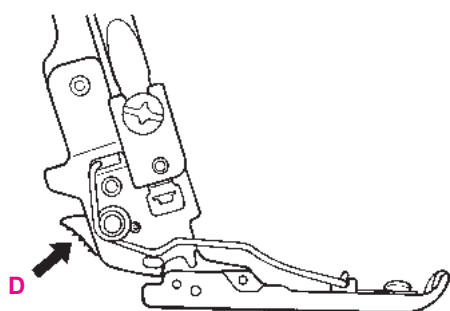
When using the extra lift (B), do not run the machine or turn the handwheel.

Changing the presser foot

• Switch the machine off (power switch "0").

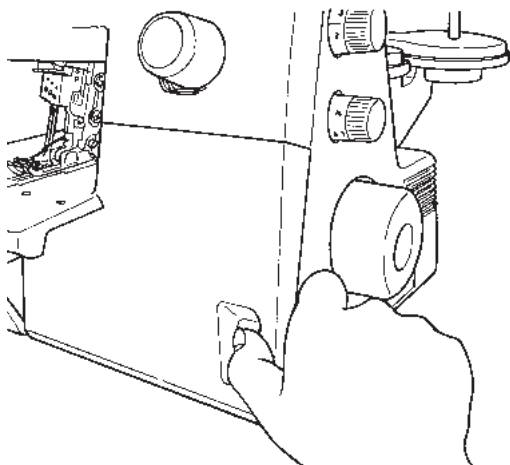
- Turn the handwheel to raise the needles.
- Raise the presser foot.
- To release the presser foot, press the catch (D).
- Raise the presser foot shaft to its highest position (B) and remove the presser foot to the left.
- To attach the foot, place it under the shank, so that the groove in the shank lines up exactly with the presser foot pin (E).
- Lower the shank and the presser foot will engage automatically.
- * Lower the presser foot lifting lever and check that the groove in the shank should line up exactly with the presser foot pin (E). If it is not lined up, press the catch (D) to line up.

- Cover stitch presser foot (F)
- Chain stitch presser foot (G) (Optional Accessory)



(Optional Accessory)

Using the machine

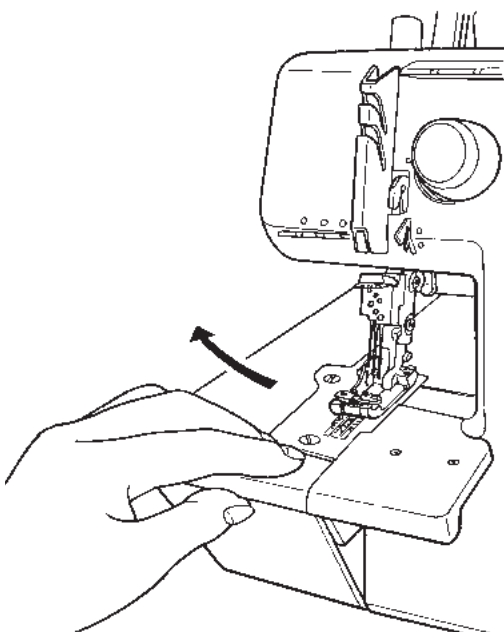


Looper cover

! Caution, moving parts, switch the machine off (power switch "0").

To open, push to the right and tilt the cover towards you.

To close, push it up.

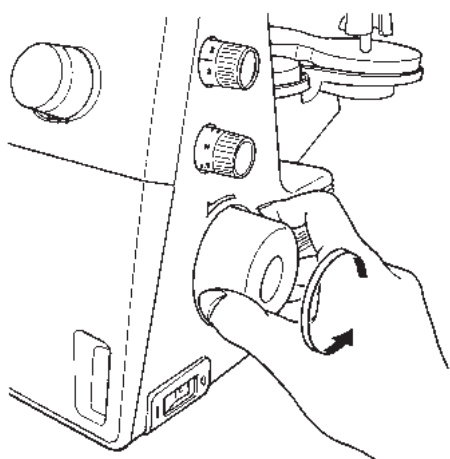


Cloth plate

! Caution, moving parts, switch the machine off (power switch "0").

To open, push the cloth plate to the left.

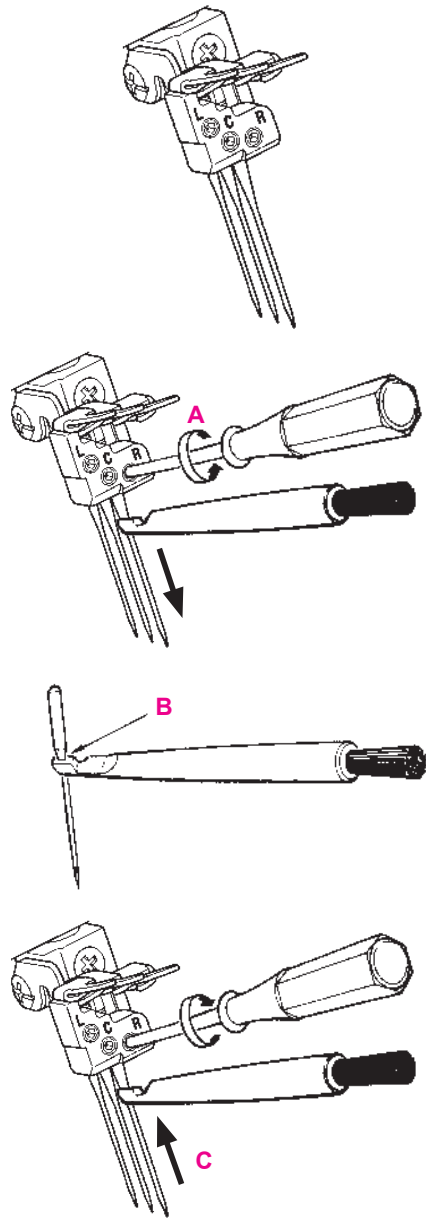
To close, push it towards the machine and press gently until it engages.



Handwheel

The handwheel turns forward (counterclockwise) when sewing.

Using the machine



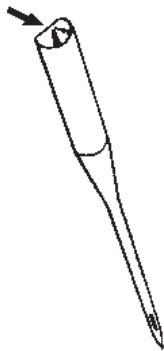
Inserting needles

! • Switch the machine off (power switch "0").

- Raise the needles fully by turning the handwheel.
- Lower the presser foot.
- To remove the needles loosen the needle set screws (A).
- Place a needle, flat side towards the back into the hole of the needle inserter (B).
- Insert the needle into the needle clamp (C).
- Tighten the needle set screws.

Needle system

- 130/705H (Household needles)
- Use needles size No.70-90 (11-14).

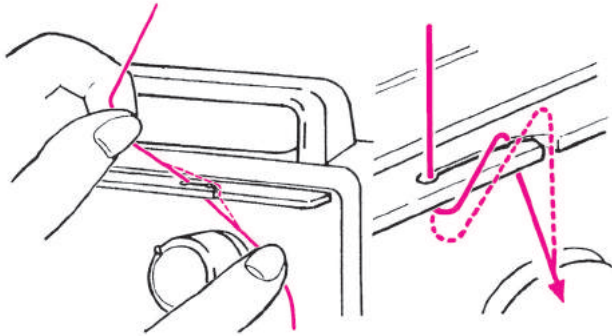


Threading

Threading preparation / TIPS

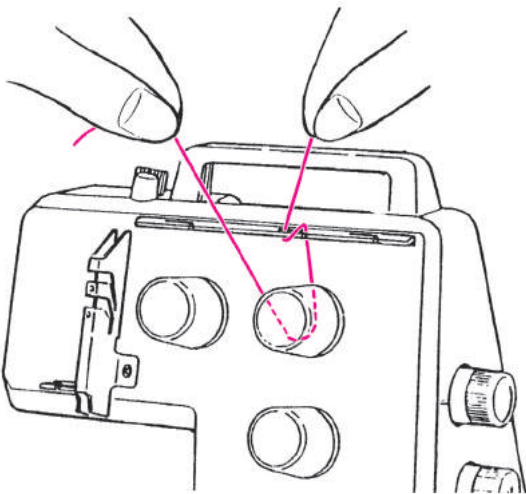
! • Switch the machine off (power switch "0").

- Fully raise support rod with thread guide.
 - Open the looper cover and cloth plate.
 - Turn handwheel until the looper is at its leftmost position.
 - Raise the presser foot to release the tensions.
 - Thread the looper first and then the needle(s).
-



Thread guide bar

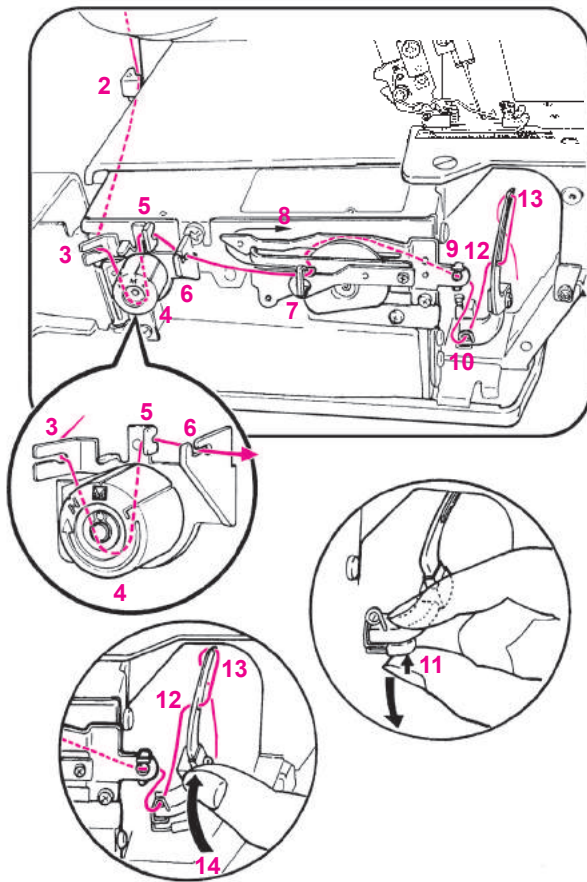
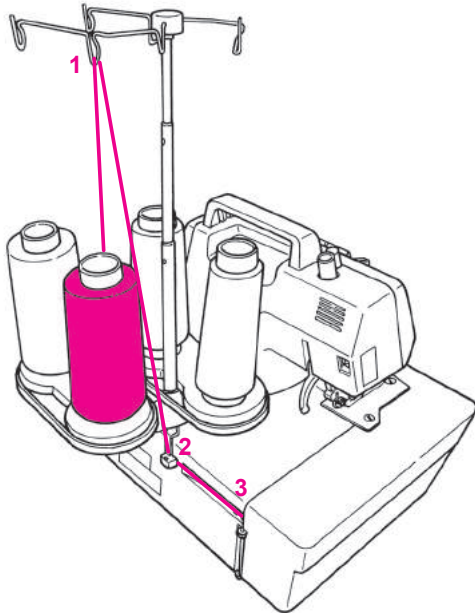
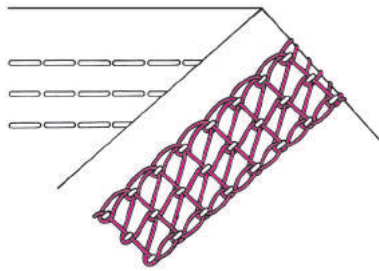
Slide thread into the two slits to form an S-loop.



Thread tension

The thread must lie correctly between the tension discs for perfect stitch formation. When a slight resistance is felt on the thread, it is lying correctly between the tension discs.

Threading 4 thread cover stitch



1. Threading cover stitch looper (purple)

 • Switch the machine off (Power switch to "0").

Place the spool on the spool holder pin as illustrated.

(1) Bring the thread up from the spool and lay it from the back to the front into the guides.

(2, 3) Thread the guides.

(4) Thread the tension dial.

(5, 6, 7) Thread the guides.

(8) Place the thread horizontally in the guide.

(9) Thread the guide.

Bring the needle into the lowest position. Turn handwheel.

(10) Thread the guide.

(11) Push the looper auto-threader (white) up towards the chainlooper and press them down together.

(12) Thread the first looper eye back to front.

(13) Thread the looper eye front to back and cut thread to about 10cm (4").

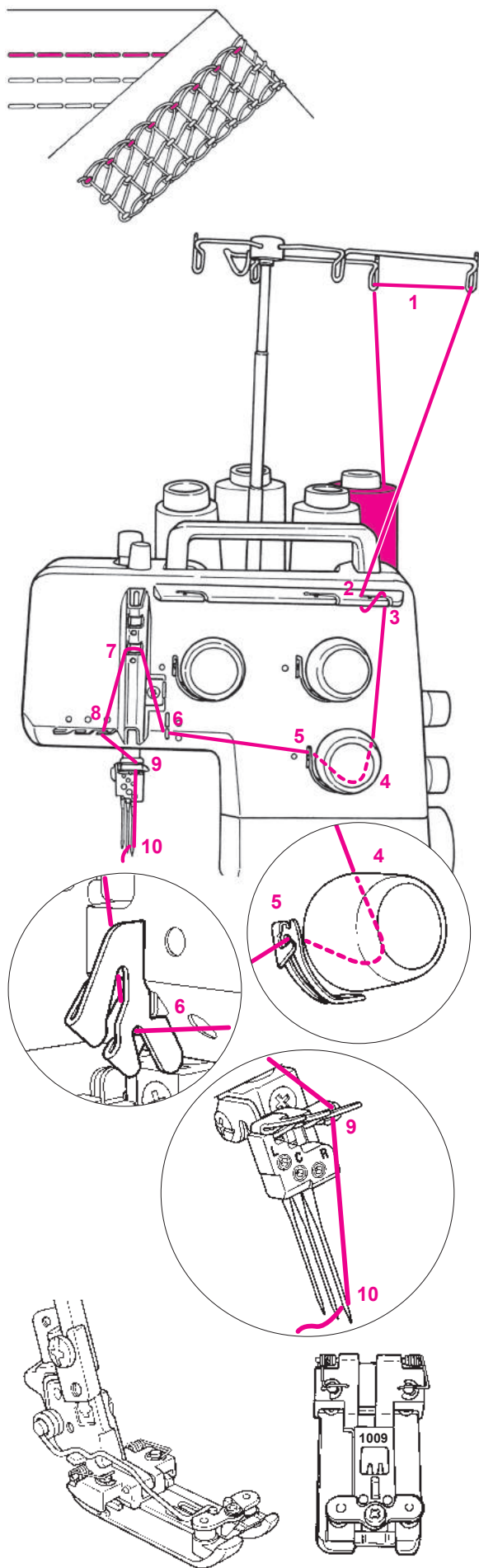
(14) Push the looper auto-threader back up to sewing position.

Raise the needle to highest position (turn handwheel)

Note:

If the looper thread has to be re-threaded, cut the needle threads above the needle eye and remove. Thread the looper first and then the needles.

Threading 4 thread cover stitch



2. Threading right cover stitch needle (blue)

! • Switch the machine off (Power switch to “0”).

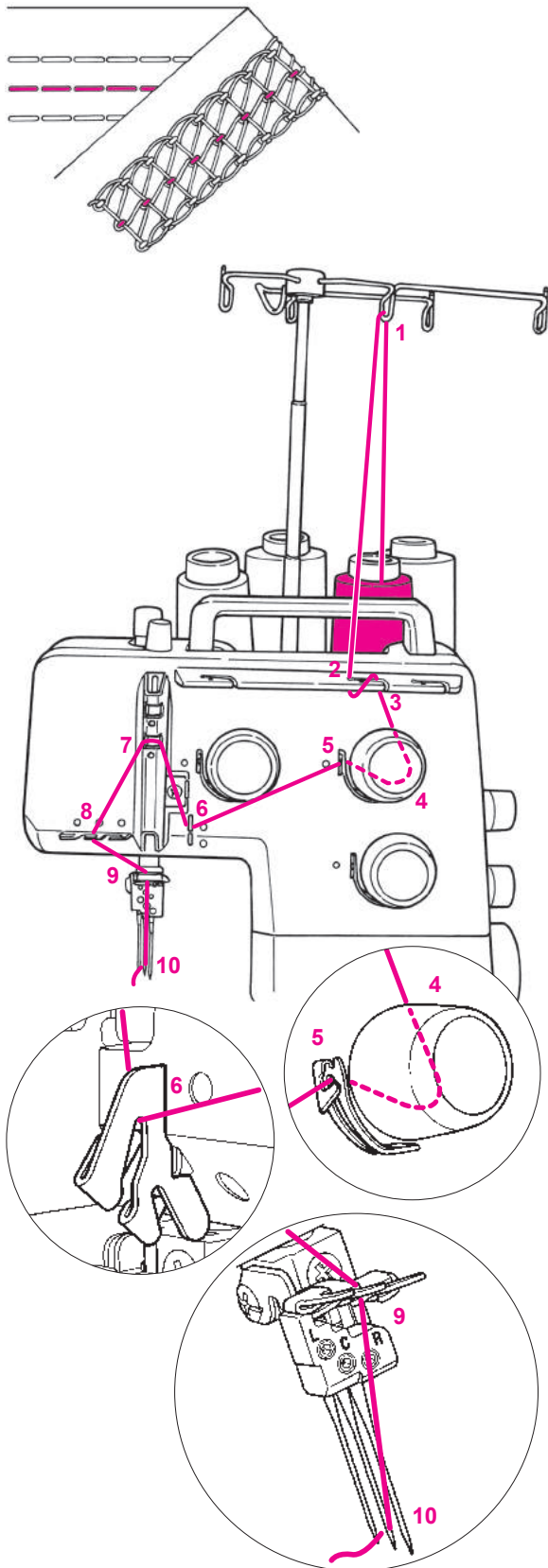
Place the spool on the spool holder pin as illustrated.

- (1) Bring the thread up from the spool and lay it from the back to the front into the guides.
- (2, 3) Make an S-loop around thread guide bar.
- (4) Thread the tension dial.
- (5, 6) Thread the guides.
- (7) Thread the take up.
- (8) Thread the guide.
- (9) Thread the needle clamp guide.
- (10) Thread the right needle eye from front to back and lay the thread over the presser foot to the left. Cut the thread to about 7 cm (3”).
- (11) Check that the cover stitch presser foot is attached for cover stitch sewing.

Note:

If the looper thread has to be re-threaded, cut the needle threads above the needle eye and remove. Thread the looper first and then the needles.

Threading 4 thread cover stitch



3. Threading center cover stitch needle (green)

⚠ • Switch the machine off (Power switch to “0”).

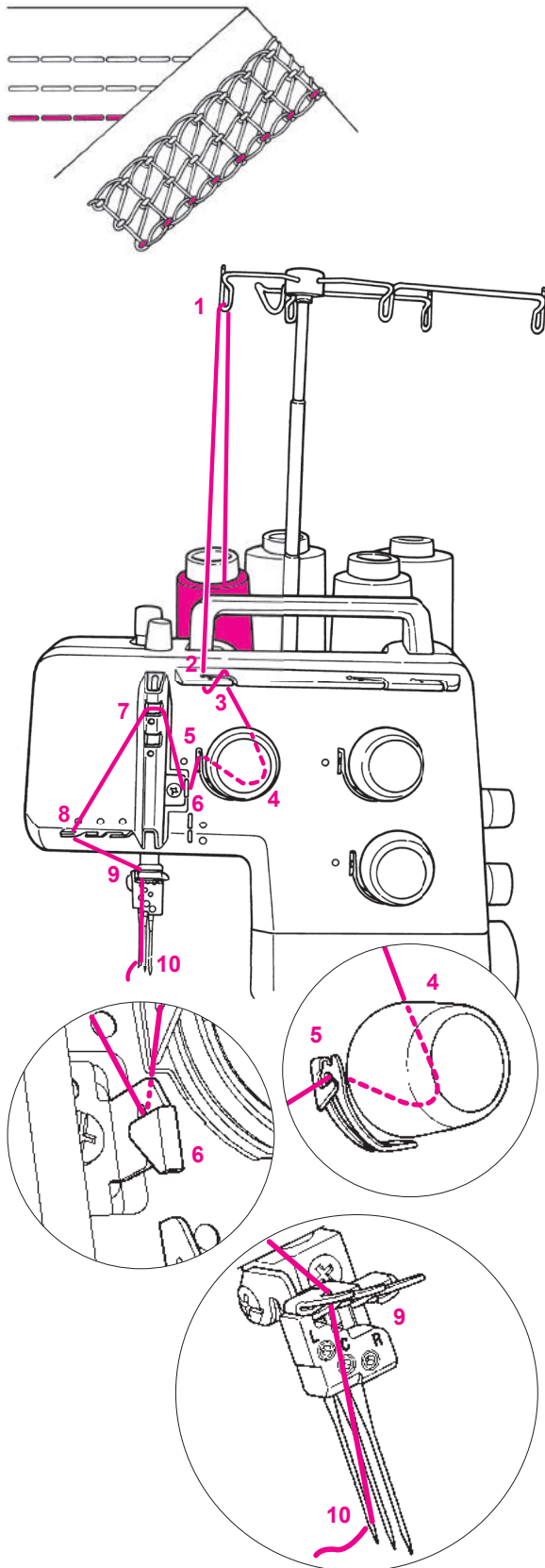
Place the spool on the spool holder pin as illustrated.

- (1) Bring the thread up and take it from back to front through the guide.
- (2, 3) Make an S-loop around thread guide bar.
- (4) Thread the tension dial.
- (5, 6) Thread the guides.
- (7) Thread the take up.
- (8) Thread the guide.
- (9) Thread the needle clamp guide.
- (10) Thread the center needle eye from front to back and lay the thread over the presser foot to the left. Cut the thread to about 7 cm (3”).

Note:

If the looper thread has to be re-threaded, cut the needle threads above the needle eye and remove. Thread the looper first and then the needles.

Threading 4 thread cover stitch



4. Threading left cover stitch needle (yellow)

! • Switch the machine off (Power switch to “0”).

Place the spool on the spool holder pin as illustrated.

- (1) Bring the thread up and take it from back to front through the guide.
- (2, 3) Make an S-loop around thread guide bar.
- (4) Thread the tension dial.
- (5, 6) Thread the guides.
- (7) Thread the take up.
- (8) Thread the guide.
- (9) Thread the needle clamp guide.
- (10) Thread the left needle eye from front to back and lay the thread over the presser foot to the left. Cut the thread to about 7 cm (3”).

Note:

If the looper thread has to be re-threaded, cut the needle threads above the needle eye and remove. Thread the looper first and then the needles.

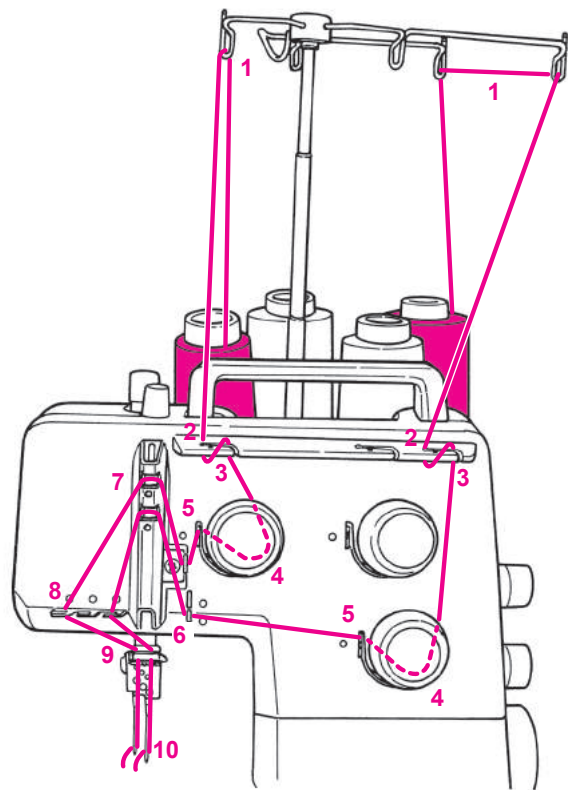
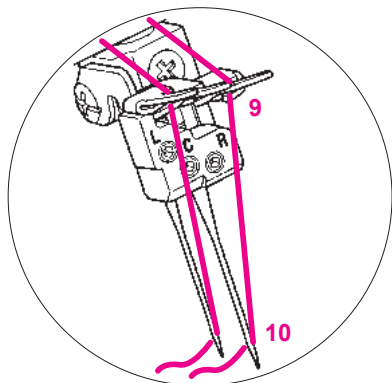
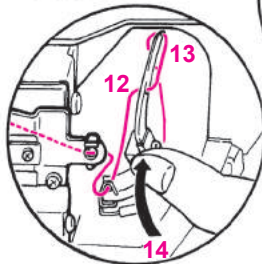
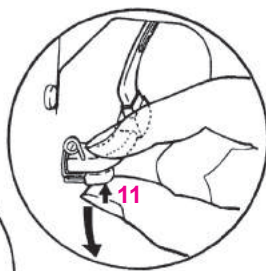
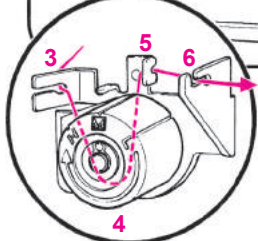
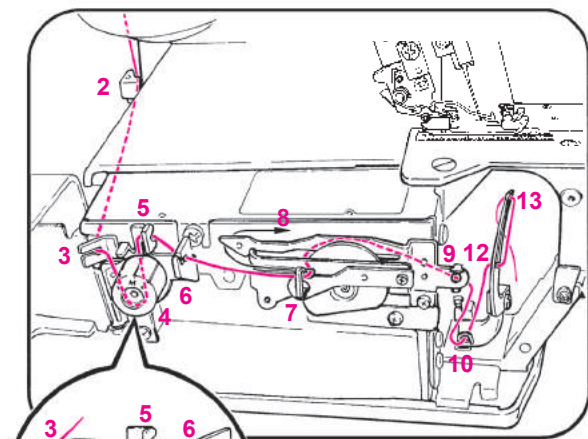
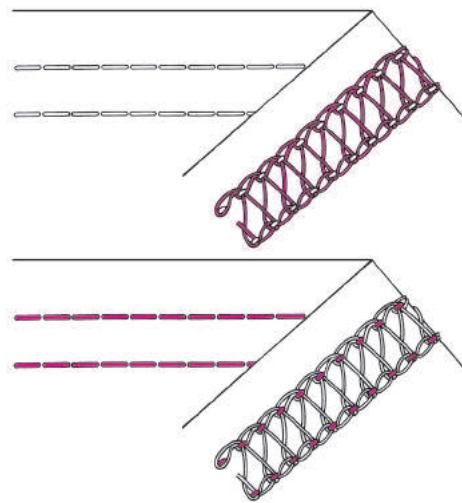
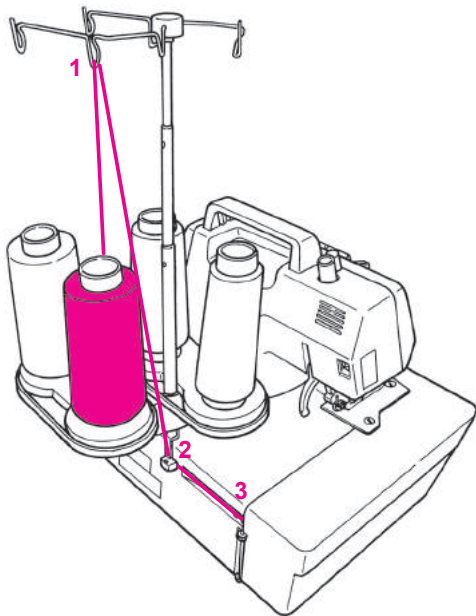
Threading 3 thread cover stitch (wide)

Preparation 3 thread cover stitch (wide)

 • Switch the machine off (Power switch to "0").

Right cover stitch needle (blue)

Left cover stitch needle (yellow)



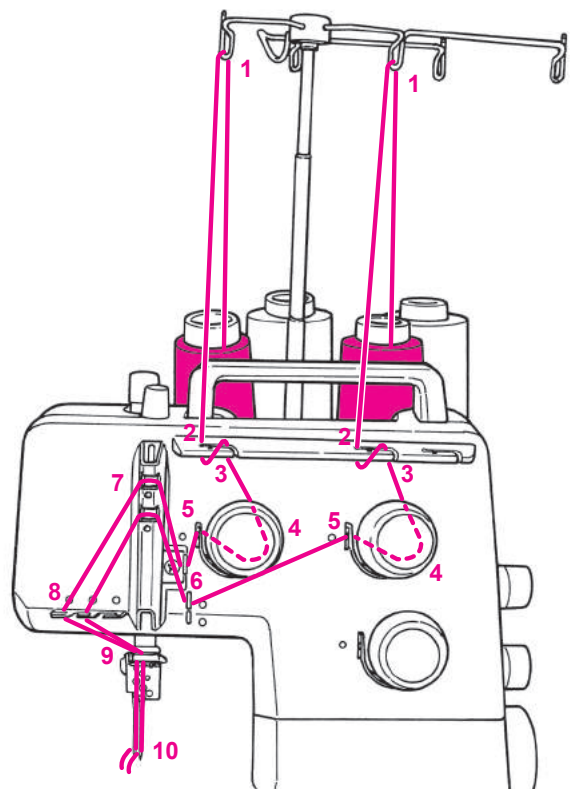
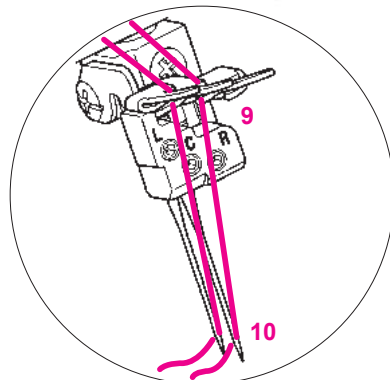
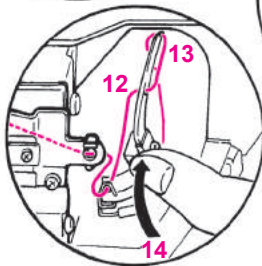
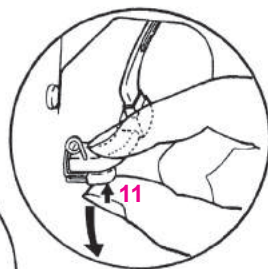
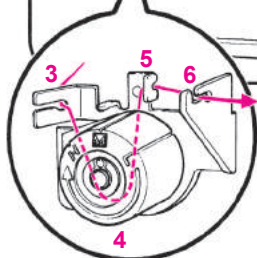
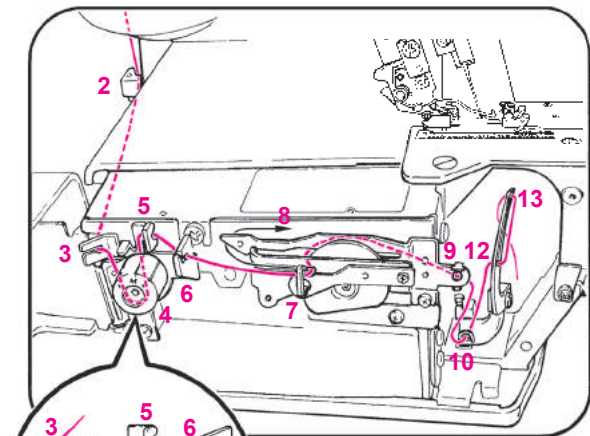
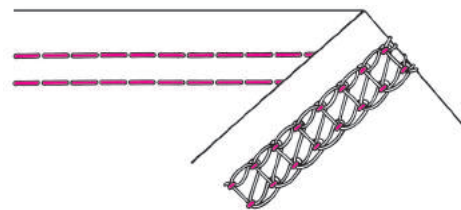
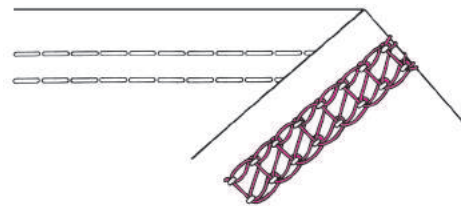
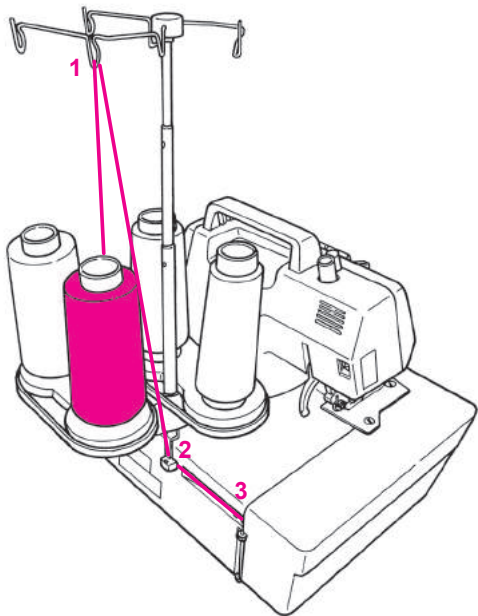
Threading 3 thread cover stitch (narrow)

Preparation 3 thread cover stitch (narrow)

! • Switch the machine off (Power switch to "0").

Left cover stitch needle (yellow)

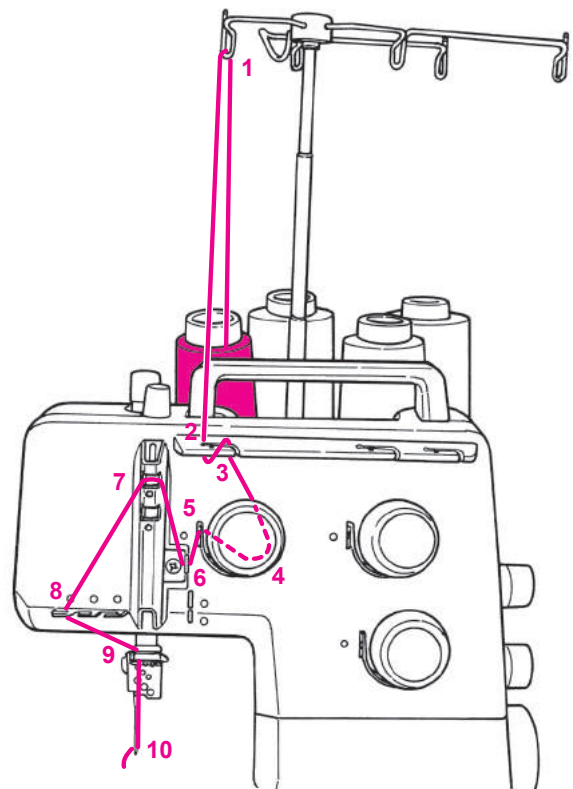
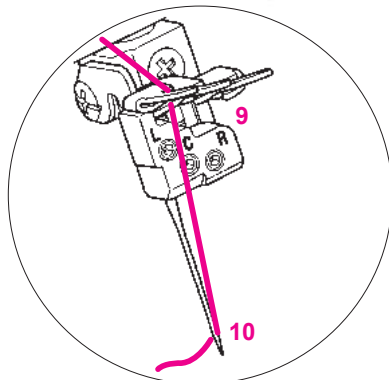
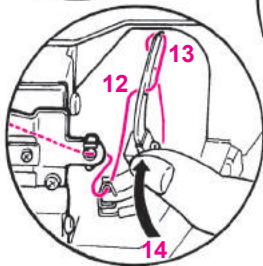
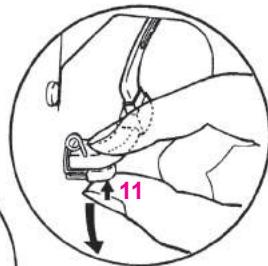
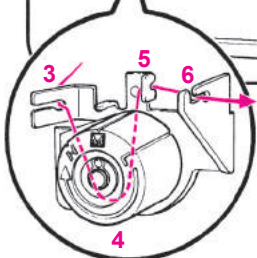
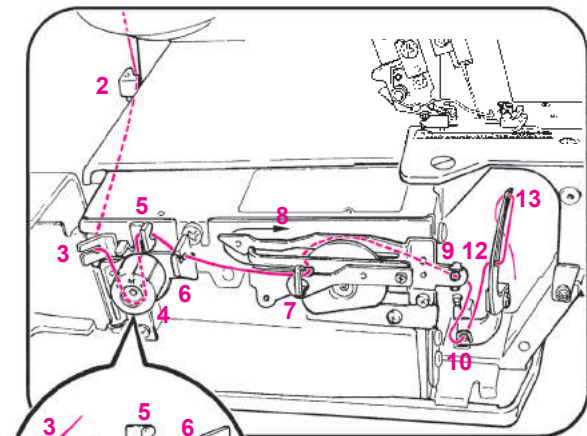
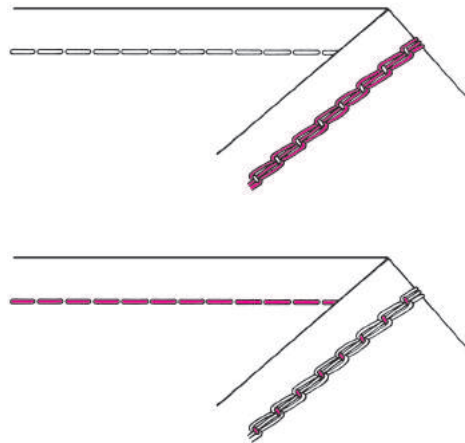
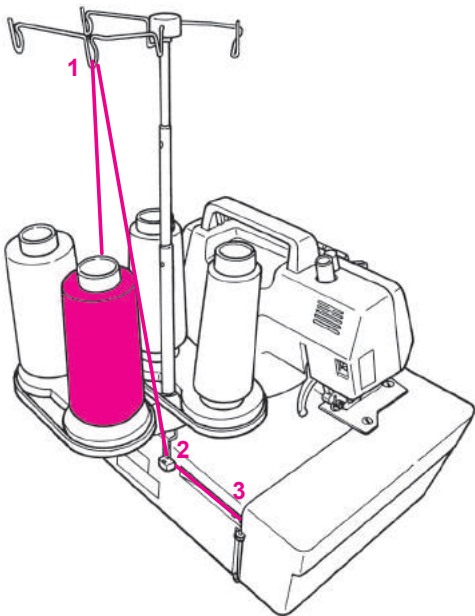
Center cover stitch needle (green)

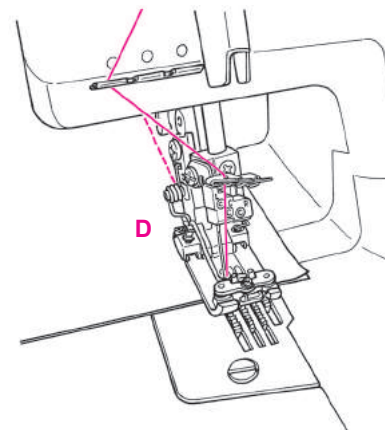
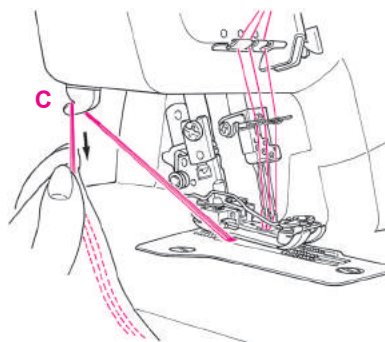
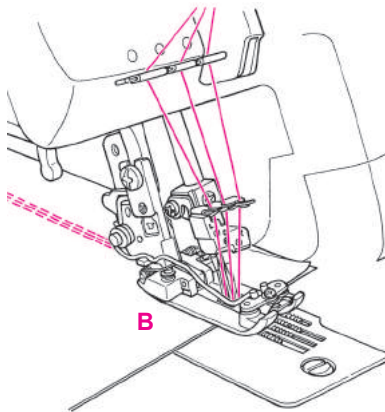
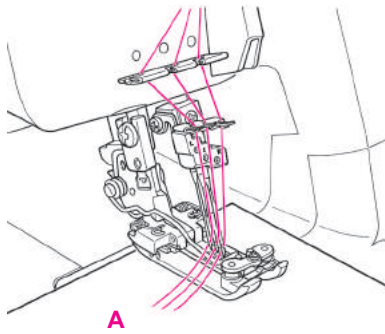


Threading chain stitch

Preparation chain stitch

- ⚠ • Switch the machine off (Power switch to "0").
- Left chainstitch needle (yellow)





Sewing Test

After threading make a sewing test on a double layer of fabric to check the stitch formation and the thread tension.

Cover stitch sewing test

- Plug the machine in and switch it on (power switch to “I”).
- Set the tensions to 3-5.
- Set the stitch length to 3.
- Set the differential feed to N.
- Raise the presser foot and place the fabric under foot and needles (A).
- Lower the presser foot.
- Turn the handwheel counterclockwise for the first stitch.
- Sew
- When sewing is completed (still inside the work), turn the handwheel counterclockwise to bring the needles into their lowest position (B). Then turn the handwheel clockwise to raise the needles to their highest position. This releases the needle threads from the looper and stitching can unravel easily.
- Raise the presser foot.
- Remove the work carefully towards the left.
- Cut the threads over the thread cutter (C).

Chainstitch sewing test

- Plug the machine in and switch it on (power switch to “I”).
- Set the tensions to 3-5.
- Set the stitch length to 2.5.
- Set the differential feed to N.
- Raise the presser foot and place the fabric under foot and needle (A).
- Lower the presser foot.
- Turn the handwheel counterclockwise for the first stitch.
- Sew

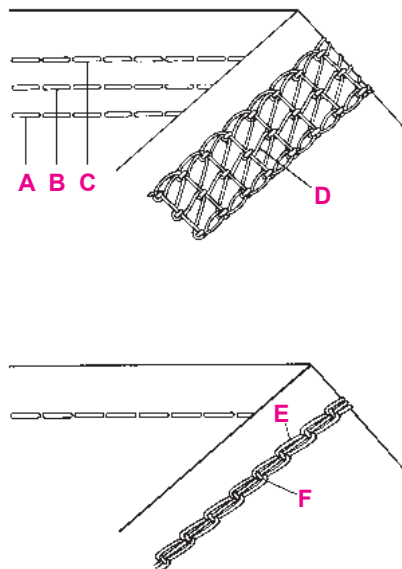
If seam ends in the fabric:

When sewing is completed, turn the handwheel counterclockwise to bring the needles into their lowest position (D).

Then turn the handwheel clockwise to raise the needles to their highest position. This releases the needle thread from the looper.

- Raise the presser foot.
- Remove the work carefully towards the left.
- Cut the threads over the thread cutter (C).

Tension adjustments

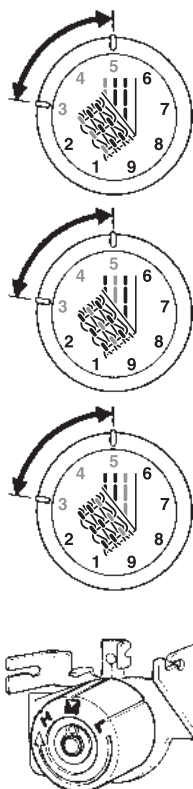


Tension adjustments Cover stitch

- The right needle thread forms loops on the wrong side:
Tighten the right needle tension (blue, C)
- The center needle thread forms loops on the wrong side:
Tighten the center needle tension (green, B)
- The left needle thread forms loops on the wrong side:
Tighten the left needle tension (yellow, A)
- The looper thread is loose on the wrong side:
Tighten the looper tension (inside cloth plate, D) (purple)

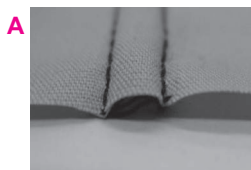
Chainstitch

- The needle thread forms loose loops on the wrong side:
Tighten the left needle tension (yellow, F)
- The looper thread is loose on the wrong side:
Tighten the looper tension (inside cloth plate, E) (purple)

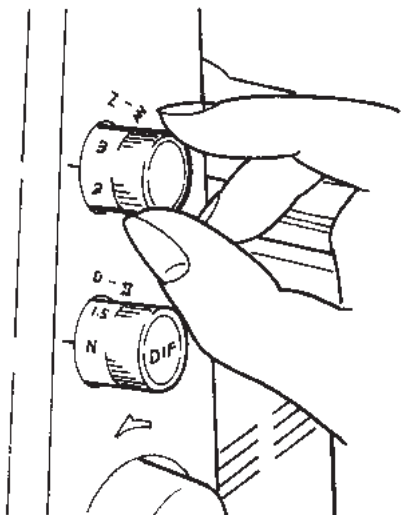


Thread tension

- The thread tension can be adjusted to suit the various types of thread.
- Basic needle tensions: 3-5
- To increase the tensions: 6-9
- To decrease the tensions: 2-1
- Basic looper tensions: M
- To increase the tensions: H
- To decrease the tensions: L (When seam becomes like A)
- The looper tension dial is inside cloth plate.



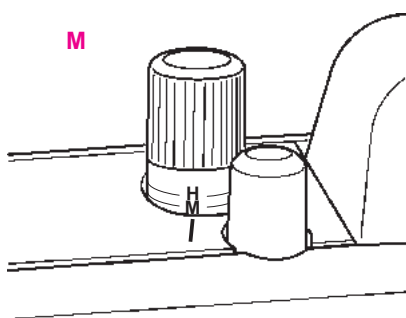
Adjustments and settings



Stitch length

The stitch length is infinitely variable from 1-4 mm. It can be adjusted while sewing. Recommended basic stitch length:

- Cover stitch: 3
- Chainstitch: 2.5

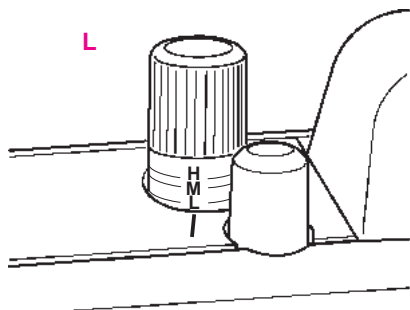
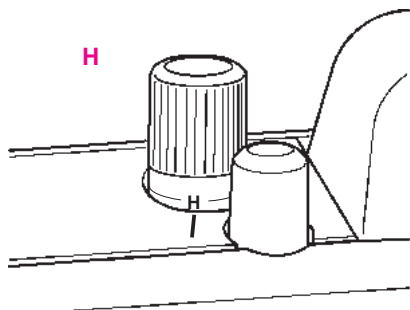


Presser foot pressure

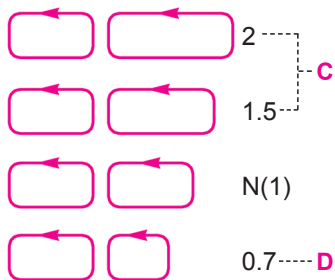
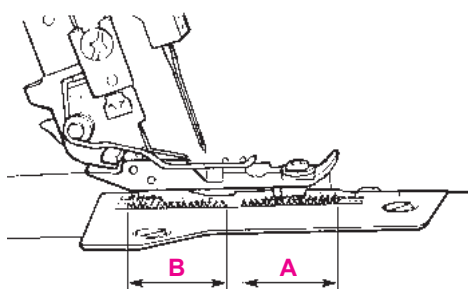
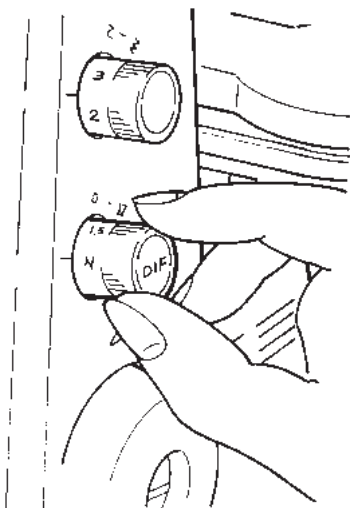
The presser foot pressure is adjusted to a medium setting, suitable for most sewing applications.

For adjustments, simply turn the knob.

- Basic position for normal pressure (M).
- Higher pressure for thick, stiff fabrics or sewing elastics (H).
- Less pressure for lightweight fabrics or soft knits (L).



Adjustments and settings



Differential feed

There are two feed dogs: one front (A) and one rear (B). The two feed dogs move independently and the distance each feed dog travels during one complete movement can be adjusted.

The differential feed prevents fluting or waving in knits or stretch fabrics and movement between the layers of fabric. It also ensures pucker-free seams in smooth fabrics such as nylon or closely woven fabrics.

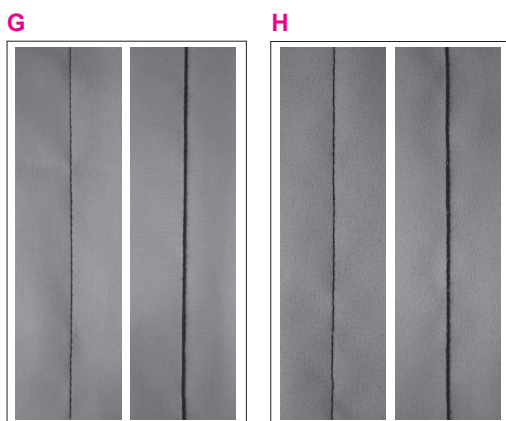
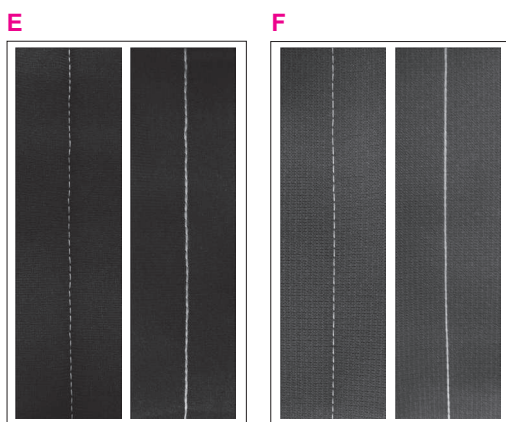
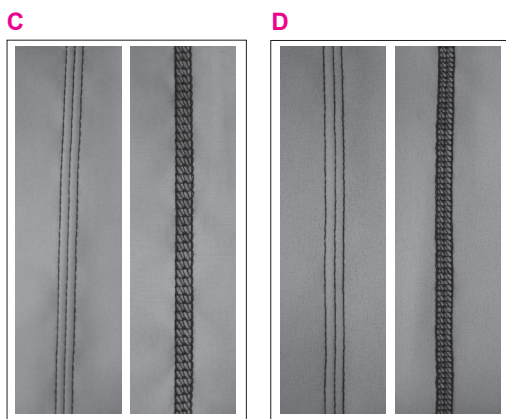
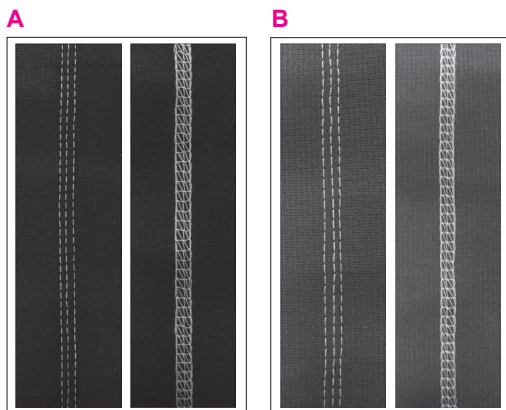
Perfectly flat seams in knits or stretch fabrics.

The distance travelled by the front feed dog should be bigger than that of the rear feed dog. The front feed dog, therefore, feeds an amount of fabric which the rear feed dog can take up behind the needle without stretching the fabric (C).

Pucker-free seams in nylon or closely woven fabrics.

The distance travelled by the rear feed dog should be bigger than that of the front feed dog. The front feed dog, therefore, holds the fabric back so that the rear feed dog can take it up behind the needle without any puckering (D).

Adjustments and settings



Adjusting the differential feed

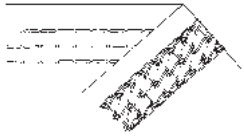
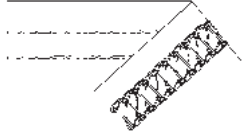
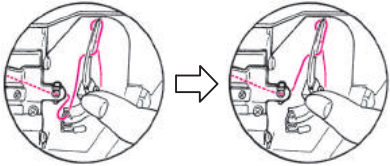
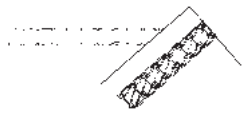
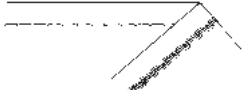
The differential feed can be adjusted by simply turning the differential feed adjustment knob in the direction desired.

Always make a trial run. The differential feed is infinitely variable and can be adjusted while sewing.

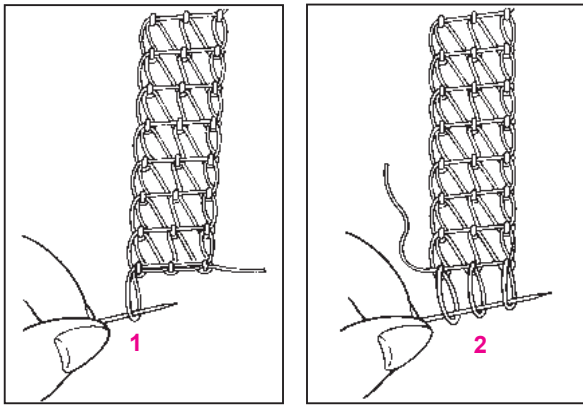
Differential feed adjustments

Setting	2	1.5	N	0.7
Effect	Pushing effect, no fluting	Pushing effect, no fluting	Normal feed	Stretching effect, no puckering
Cover stitch applications	Thick or loose knits, handknits	Fine to medium jerseys	Knits and jerseys with the grain	Sewing over seams
	Photo A	Photo B	Photo C	Photo D
Chain-stitch applications	Thick or loose knits, handknits	Fine to medium jerseys	Wovens, jerseys with the grain	Fine jerseys, closely wovens, lining, satin, poplin
	Photo E	Photo F	Photo G	Photo H

Stitch chart

Stitch	Tension Settings	Basic Settings	Applications
<p>4 thread cover stitch</p> 	<p>Right needle thread (blue): 3-5 Center needle thread (green): 3-5 Left needle thread (yellow): 3-5 Looper thread (purple): M</p>	<p>Stitch length: 3 Differential feed: N</p>	<p>Garments made from very stretchy fabrics. Hems, hems with elastic, flat joining seams, stretchy lace, bindings, decorative seams.</p>
<p>3 thread cover stitch (wide)</p> 	<p>Right needle thread (blue): 3-5 Left needle thread (yellow): 3-5 Looper thread (purple): M</p>	<p>Stitch length: 3 Differential feed: N</p>	<p>Very stretchy fabrics, knits and jerseys. Flat hem for all stretch fabrics, sewing and finishing with elastic, binding edges in stretch fabrics, decorative seams</p>
<p>If you experience tunneling with light-weight elastic material, we recommend the following.</p> <ol style="list-style-type: none"> 1. Presser foot pressure: L 2. Chain looper tension dial: L 3. Differential feed ratio: N-0.7 4. No threading to the thread guide at chain looper 			
<p>3 thread cover stitch (narrow)</p> 	<p>Center needle thread (green): 3-5 Left needle thread (yellow): 3-5 Looper thread (purple): M</p>	<p>Stitch length: 3 Differential feed: N</p>	<p>Stretchy fabrics Flat hem, sewing and finishing with elastic, binding, decorative seams</p>
<p>2 thread chainstitch</p> 	<p>Left needle thread (yellow): 3-5 Looper thread (purple): M</p>	<p>Stitch length: 2.5 Differential feed: N</p>	<p>Wovens or fabrics with very little elasticity. Bindings, seams, securing seams, gathering, decorative seams.</p>

Practical Sewing Cover Stitch

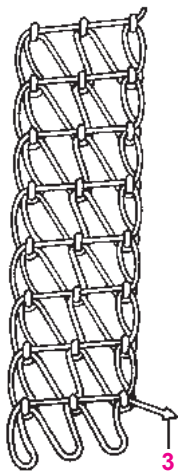
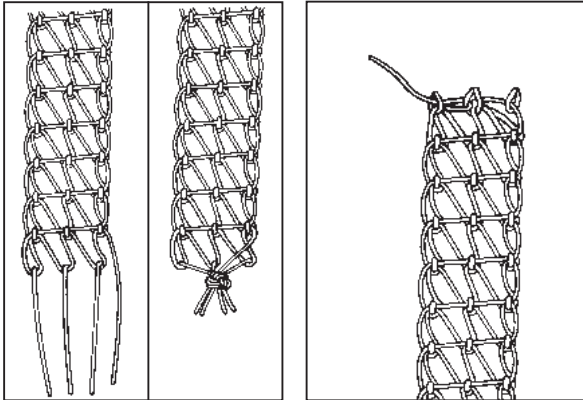


Securing the seam end

Secure the seam end by pulling the loop (1) to the left. If the looper thread is subsequently pulled upwards, the needle threads (2) appear and can be pulled through to the wrong side and knotted.

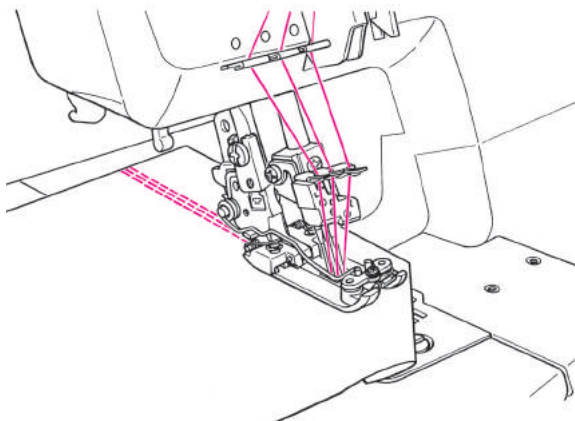
Note:

The seam begin is secured because the first stitch is automatically knotted by the subsequent stitches.



Unpicking seams

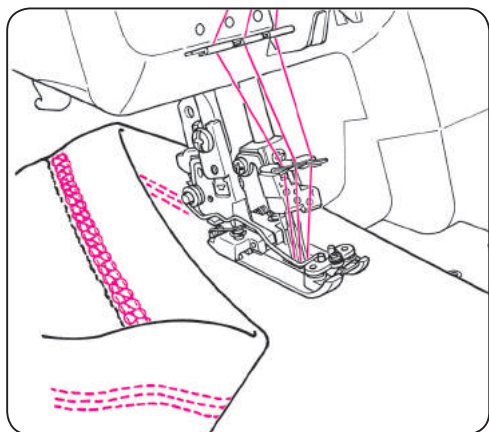
The cover stitch (chain formation) can be unpicked from the seam end by pulling the looper thread (3). The needle threads can be removed from the right side.



Extension plate with seam guide lines

The seam guide lines on the extension plate are a valuable aid for sewing hems, bindings and for topstitching.

Practical Sewing Cover Stitch



Simple hem

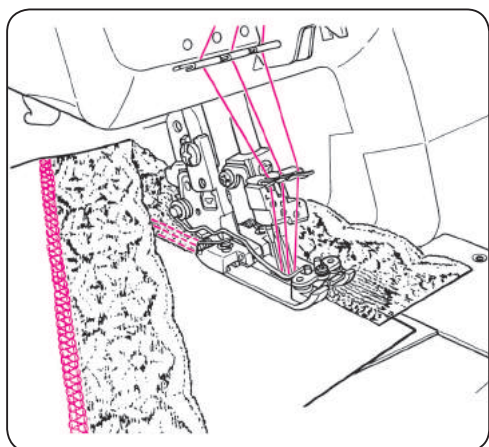
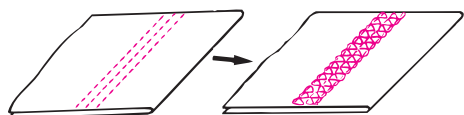
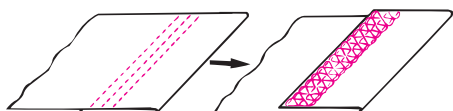
Stitch length: 3-4 mm

Differential: N-2 (depending on fabric)

- Mark hem depth and fold or press.
- Place fabric under the foot and guide the folded edge along a line on the stitch plate.

The hem is sewn and the raw edge on the wrong side is neatened simultaneously. Surplus seam allowance can be trimmed close to the stitches if desired.

Ideal for all stretch fabrics.



Flat joining seam

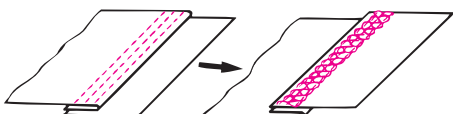
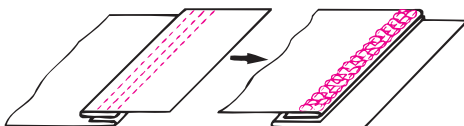
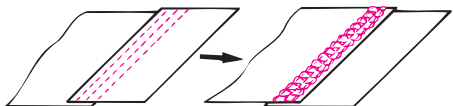
Stitch length: 3-4 mm

Differential: N-2 (depending on fabric)

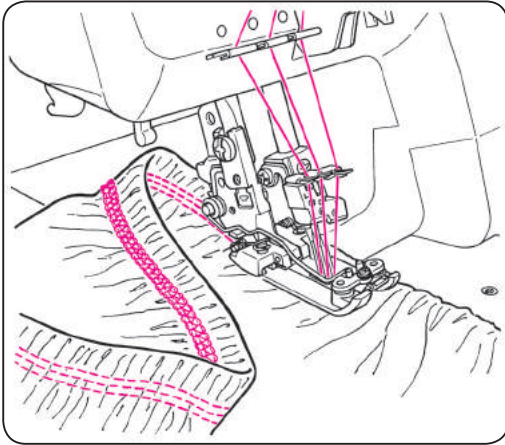
- Mark seam allowances.
- Turn or press under the edge of the upper fabric (if not already neatened).
- Place edges on top of one another.
- Guide fabric edge along one of the side sections of the foot.

When sewing on elastic or lace, place it on the fabric and cover with the seam allowance. The underside (raw edge) will be neatened. If the seam allowance is more than 6 mm (1/4"), it can be trimmed close to the stitches after sewing.

Ideal for all hems and edges with elastic in jerseys, knits and stretch fabrics. Suitable for shaped pieces such as raglan sleeves, curved inserts and bindings.



Practical Sewing Cover Stitch



Edges with elastic

Stitch length: 3-4 mm

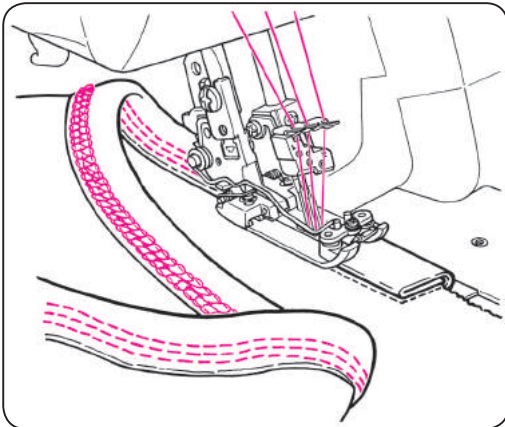
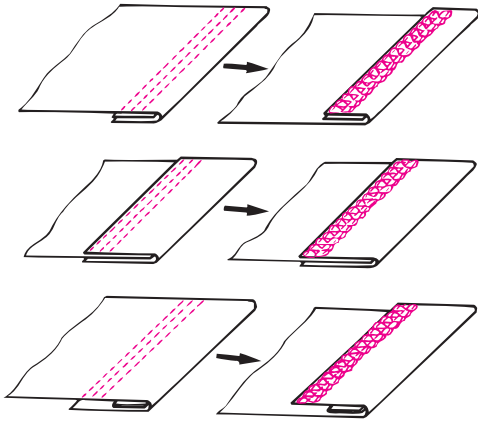
Differential: 0.7-N

- Turn the raw edge to the width of the elastic and topstitch from the right side.

Guide the fold along the right section of the foot or use one of the lines on the stitch plate as a guide.

The hem is stretchy, durable and regains its shape after stretching.

Ideal for swimwear, gymwear, children's clothing, skirt and trouser waistbands.



Binding

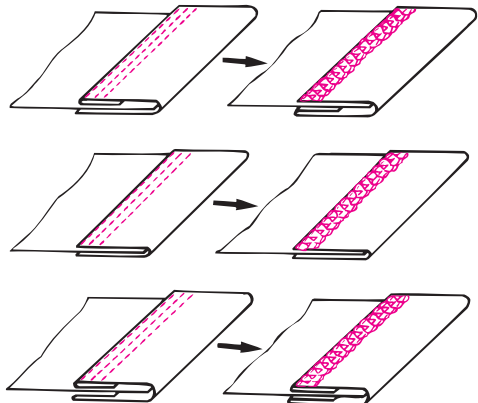
Stitch length: 3-4 mm

Differential: N

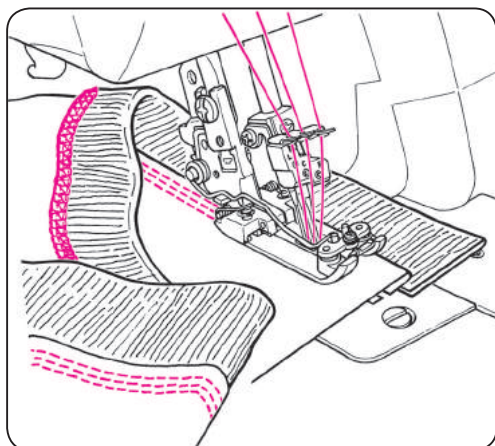
Cut bias binding or bias cut strips to the desired width, mark if wanted and press or pin. Lay the binding round the fabric edge and sew. Guide the edge of the binding on the right of the fabric along the left side section of the foot.

The edge of the binding on the wrong side (raw edge) is neatened by the looper thread. Trim surplus binding close to stitches.

Ideal for neck edges on stretch fabrics, armholes and finishes on tubular items.



Practical Sewing Cover Stitch



Top stitching seams / ribbing / yokes

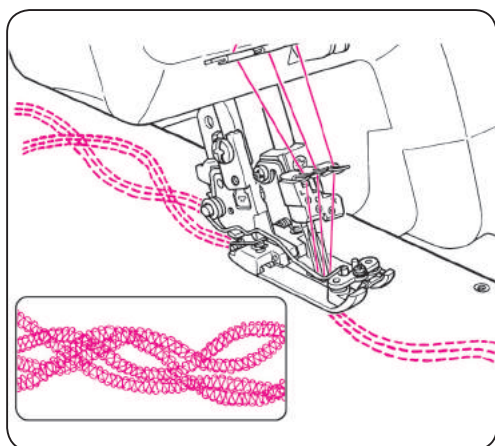
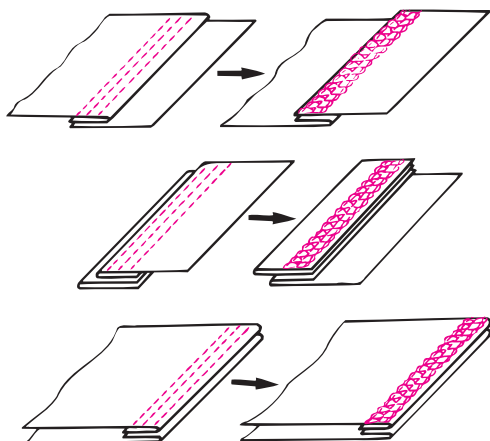
Stitch length :3-4 mm

Differential: 0.7-N

- Fold or press seam to one side.
- Edge stitch (or at distance desired) from the right.
- Guide the edge of the fabric along the side sections of the foot.

Cover stitch is perfect for topstitching and decorative finishes.

Ideal for sweatshirts, all garments made from jersey such as dress, jackets, coats and garments made with the patch-work technique.



Decorative stitching

Stitch length: 3-4 mm

Differential: 0.7-N

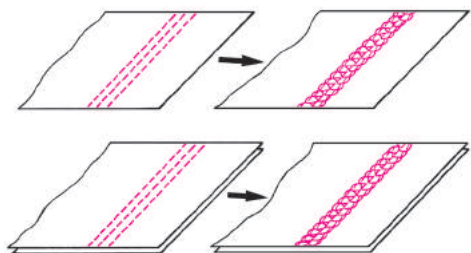
The additional space to the right of the needle allows you to sew decorative seams in the fabric.

The wrong side of the stitch can be used on the right side of the fabric.

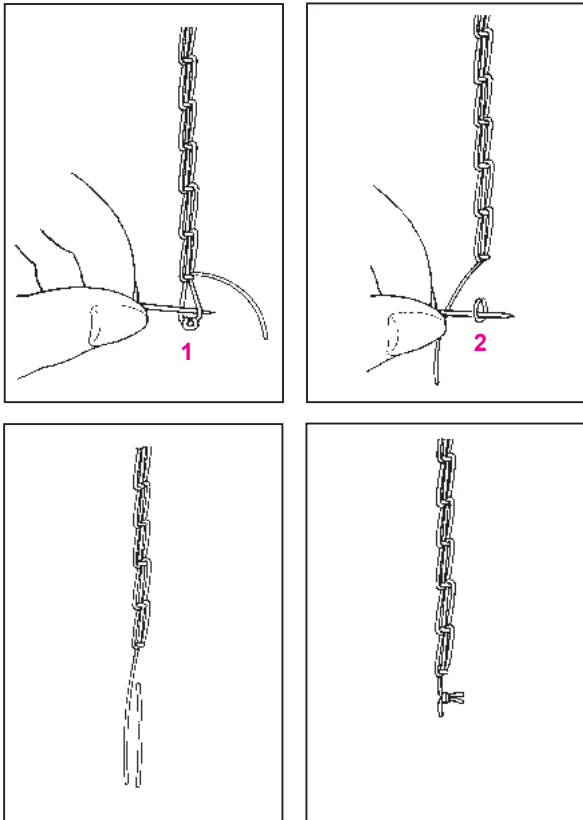
It is particularly effective if fine decorative threads are used in the looper.

- Draw pattern lines on the left side of the fabric.
- Sew.

Tip: Use a double layer of fabric or stabilizer. Remove or trim after sewing.



Practical Sewing Chainstitch

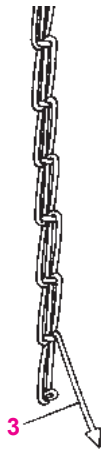


Securing the seam end

Secure the seam end by pulling the looper thread loop open (1). If the looper thread is subsequently pulled upwards, the needle thread (2) appears and can be pulled through to the wrong side and knotted.

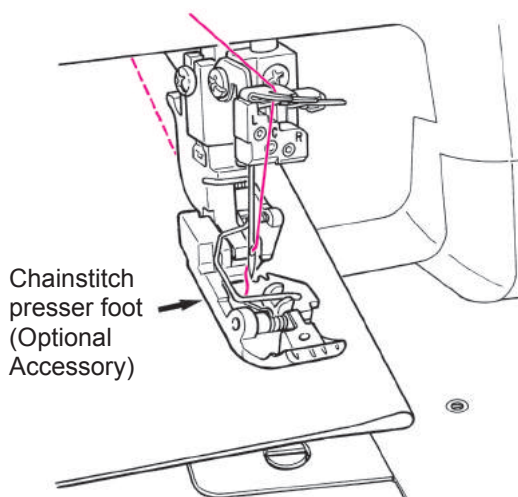
Note:

The seam begin is secured because the first stitch is automatically knotted by the subsequent stitches.



Unpicking seams

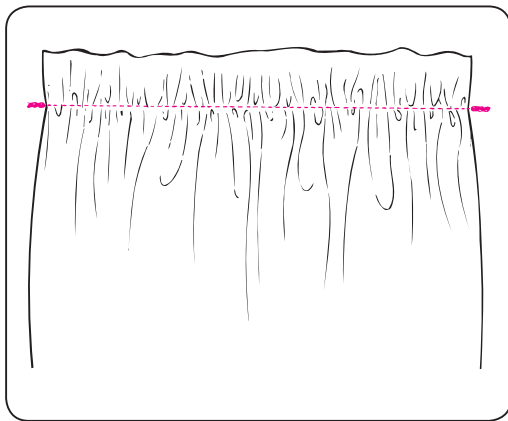
The chainstitch formation can be unpicked from the seam end by pulling the looper thread (3). The needle thread can then be removed from the right side.



Extension plate with seam guide lines

The seam guide lines on the extension plate are a valuable aid for sewing seams along a fabric edge and for parallel lines of topstitching.

Practical Sewing Chainstitch



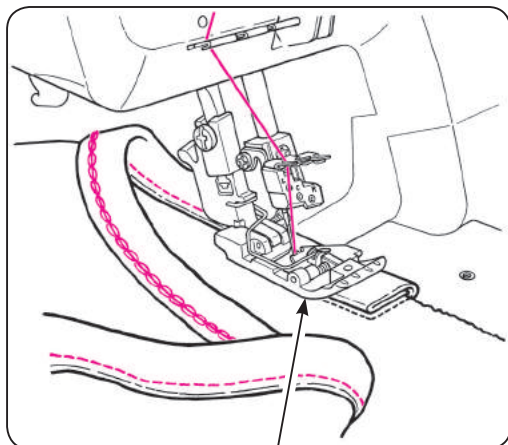
Gathering with chainstitch

A single layer of lightweight fabric can be gathered with differential feed.

Differential: 2

Stitch length: 4 mm

Thread tensions: Basic



Binding

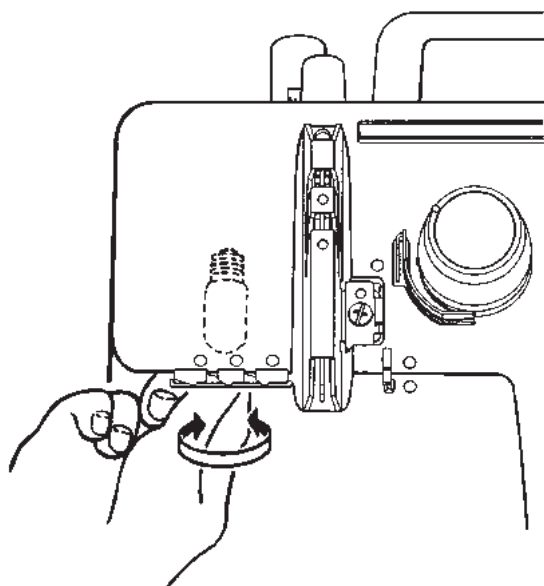
Stitch length: 3-4 mm

Differential: N

Cut bias binding or bias cut strips four times the width of the desired width, mark if wanted or press. Place right side of binding on wrong side of item, pin if wanted and sew together. Lay bias round the fabric edge and topstitch from the right side.

Chainstitch presser foot
(Optional Accessory)

⚠ WARNING Please refer to the safety instructions.



Replacing the bulb

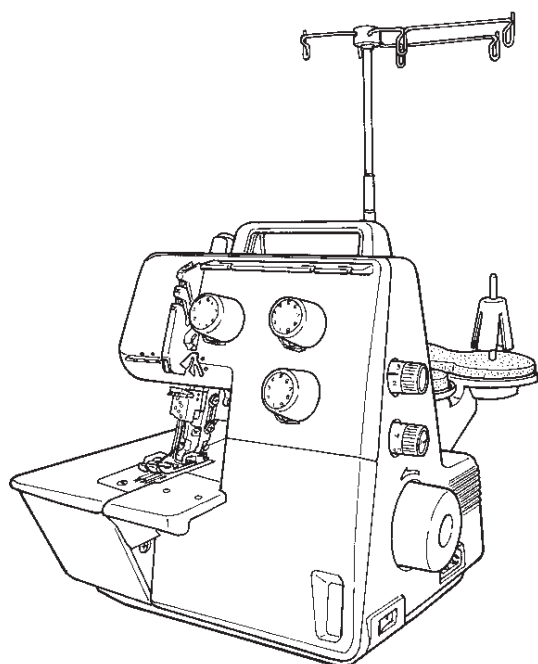
⚠ Switch machine off. (Power switch to „0“). Disconnect machine from electricity supply.

Unscrew the bulb and replace it with a new one.

120V areas: 15 Watt

230/240V areas: 10 Watt

Bulbs are available from your local dealer.



Cleaning

⚠ Switch the machine off (power switch to “O”). Disconnect machine from electricity supply.

Dust and fluff collect on and in the machine.

This should be removed regularly.

Please refer to safety instructions on page 1.

Trouble shooting guide

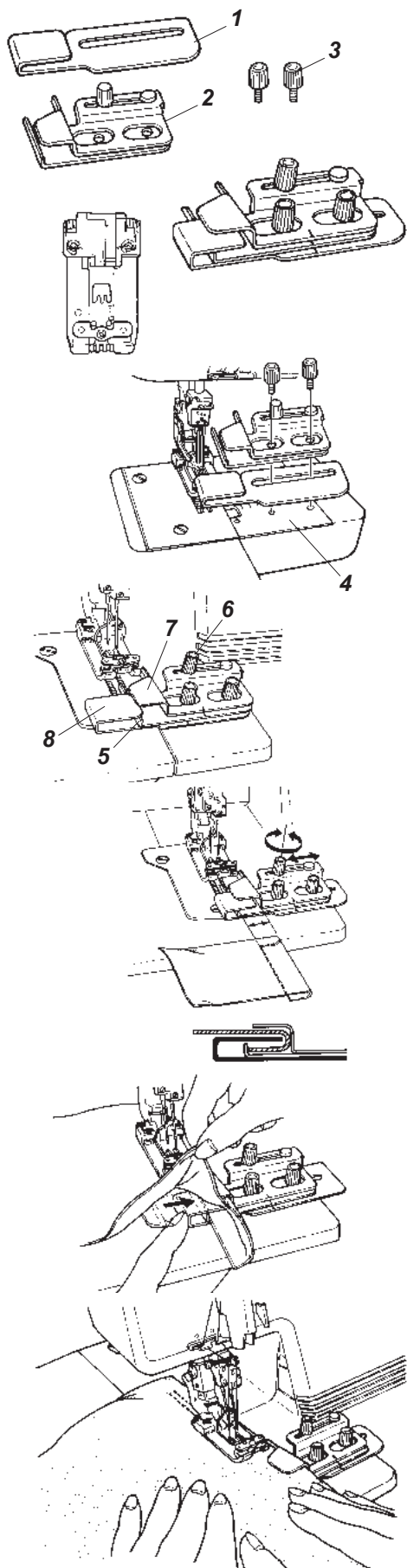
Problem	Cause	Solution	Page
Fabric does not feed evenly	<ul style="list-style-type: none"> • Presser foot pressure is too low. 	<ul style="list-style-type: none"> • Adjust the presser foot pressure. 	22
Thread breaks	<ul style="list-style-type: none"> • The thread tension is too tight for thread being used. • The machine is not threaded correctly. • Needles are not inserted correctly. • Wrong needles used. 	<ul style="list-style-type: none"> • Reduce the thread tension. • Check the threading. • Insert needles fully into the needle clamp with flat side to the back. • Use needle system 130/705H. 	21 13-19 11 11
Needle breaks	<ul style="list-style-type: none"> • Needles are bent, blunt, points are damaged. • Needles are not inserted correctly. • Fabric was pulled while sewing. 	<ul style="list-style-type: none"> • Replace needles. • Insert needles fully into the needle clamp with flat side to the back. • Guide fabric gently with both hands. 	11 11 -
Skipped stitches	<ul style="list-style-type: none"> • Needles are bent or blunt. • Wrong needles used. • The presser foot pressure is too low. 	<ul style="list-style-type: none"> • Replace the needles. • Use needles of system 130/705H. • Increase the presser foot pressure. 	11 11 22
Poor stitch formation	<ul style="list-style-type: none"> • Thread is not wound correctly around the tension dials. • Thread got caught. 	<ul style="list-style-type: none"> • Check if thread is lying between the tension discs. • Check the threading path of each thread. 	12 13-19
Seam flute or wave, especially when sewing knits	<ul style="list-style-type: none"> • Fabric was pulled while sewing. • The presser foot pressure is too tight. • The differential feed is not set correctly. 	<ul style="list-style-type: none"> • Guide fabric gently. • Reduce the presser foot pressure. • Adjust the differential feed to N-2. 	- 22 23, 24
Seam pucker	<ul style="list-style-type: none"> • The thread tension is too tight. • The differential feed is not set correctly. 	<ul style="list-style-type: none"> • Reduce the thread tension. • Adjust the differential feed to 0.7-N. 	21 23, 24
Fabric edges curl	<ul style="list-style-type: none"> • The thread tension is too tight. 	<ul style="list-style-type: none"> • Reduce the thread tension. 	21

Technical data

Stitch choice	Cover stitch: 3 needles, 1 looper: 5 mm (0.2") 2 needles, 1 looper: 5 mm (0.2") 2 needles, 1 looper: 2.5 mm (0.1") Chainstitch: 1 needle, 1 looper
Needle system	130/705H
Stitch width	Cover stitch: 5 mm (0.2")
Stitch length	1-4 mm
Differential feed	no waving in knits N-2 no puckering 0.7-N
Presser foot lift	8 mm / 10 mm
Presser feet	Cover stitch (compensating foot), snap on sole Chainstitch (Optional Accessories), with tape guide, snap on sole
Handwheel	Rotates counterclockwise
Sewing speed	up to 1350 sti/min
Weight	6.8 kg
Dimensions	280 (L) x 335 (W) x 285 (H) mm
Foot control model No.	YC-482 (USA and Canada only) YC-483N (220-240V)

We reserve the rights to make changes in the interest of technical progress.

Optional Accessories



Hemmer Guide for Coverstitch

Supplies

- 1 Cloth Guide (1)
- 1 Folded Edge Guide (2)
- 2 Fixation Screws (3)

Additionally required

Cover Stitch Compensation foot (= standard accessory with every CS machine)

Application

The Hemmer Guide helps folding the hem and assures perfect placement of the upper hem edge during cover stitching. It can be used with different fabrics, knits or wovens, and is suitable for light to medium weight materials. The materials need to be slid trough the guide without resistance.

For your safety

Before using the accessory, please read the instruction manual of the overlock machine and the accessory.

Assembly

- Place the Cloth Guide onto the CS Insert (4)
- Place the Folded Edge Guide on top of it.
- Fit the two Fixation Screws through the two parts and tighten slightly.

Adjustment

- The Cutting Edge Guide (5, left guide) is lined up with the left Coverstitch needle.
- By loosening the upper adjustment screw (6) adjust the Outer Folded Edge Guide (7) to the desired seam width in a range of 15 - 23mm (1/2" - 7/8").
- Adjust the Cloth Guide (8) into the Folded Edge Guide, leaving 2 to 4mm (approx. 1/8") open, depending on the thickness of the fabric.
- Tighten the Fixation Screws and the adjustment screw securely.
- The fabric needs to move freely without resistance! Consider cross-seams if applicable.

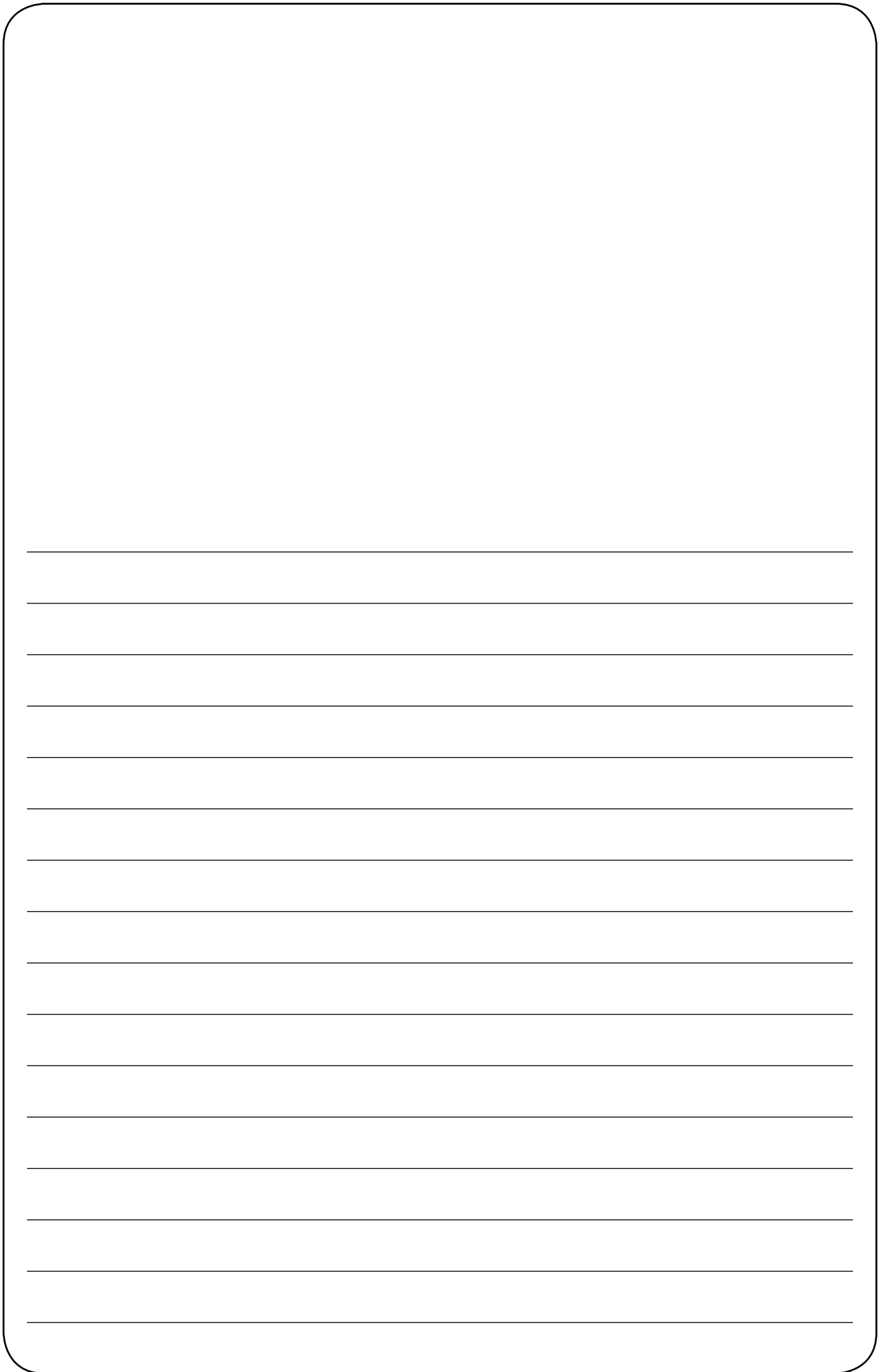
Stitches, Threading, Settings

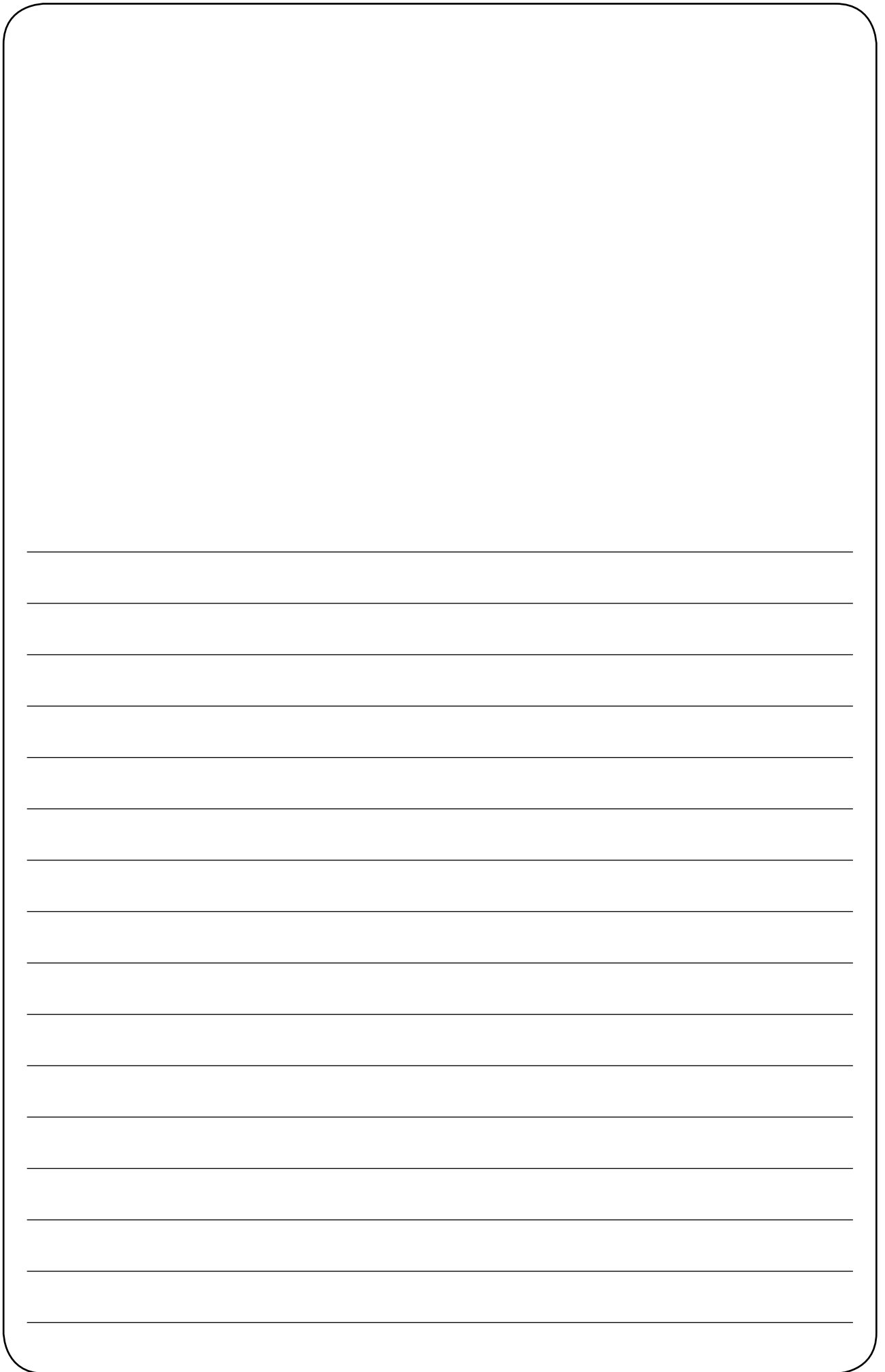
- Thread the Overlocker for 3-Needle or 2-Needle Coverstitch wide or narrow. Always use the left needle.
- Set the stitch length to 3 – 4.
- Attach the Coverstitch Compensating foot.

Procedure

- Pre-fold the seam and slide it into the guide by placing the cutting edge at its guide, having the folded edge fed softly in the hemmer guide.
- Lower presser foot and sew while guiding the fabric cutting edge neatly along its guide and supporting the fabric in front of the Hemmer Guide.
- Before the end of the seam in a curve or tube, stop before the first stitches reaches the Hemmer Guide.
- Remove the fabric from the guide. By guiding the fabric manually, continue stitching until some stitches are sewn over the first stitches.
- Raise the presser foot and remove the seam.
- Secure as project requires.

Contact your local dealer.





JUKI®

JUKI CORPORATION

2-11-1, TSURUMAKI, TAMA-SHI,
TOKYO, 206-8551, JAPAN

PHONE : (81)42-357-2341

FAX : (81)42-357-2379

Copyright © 2016 JUKI CORPORATION
All rights reserved throughout the world.

